

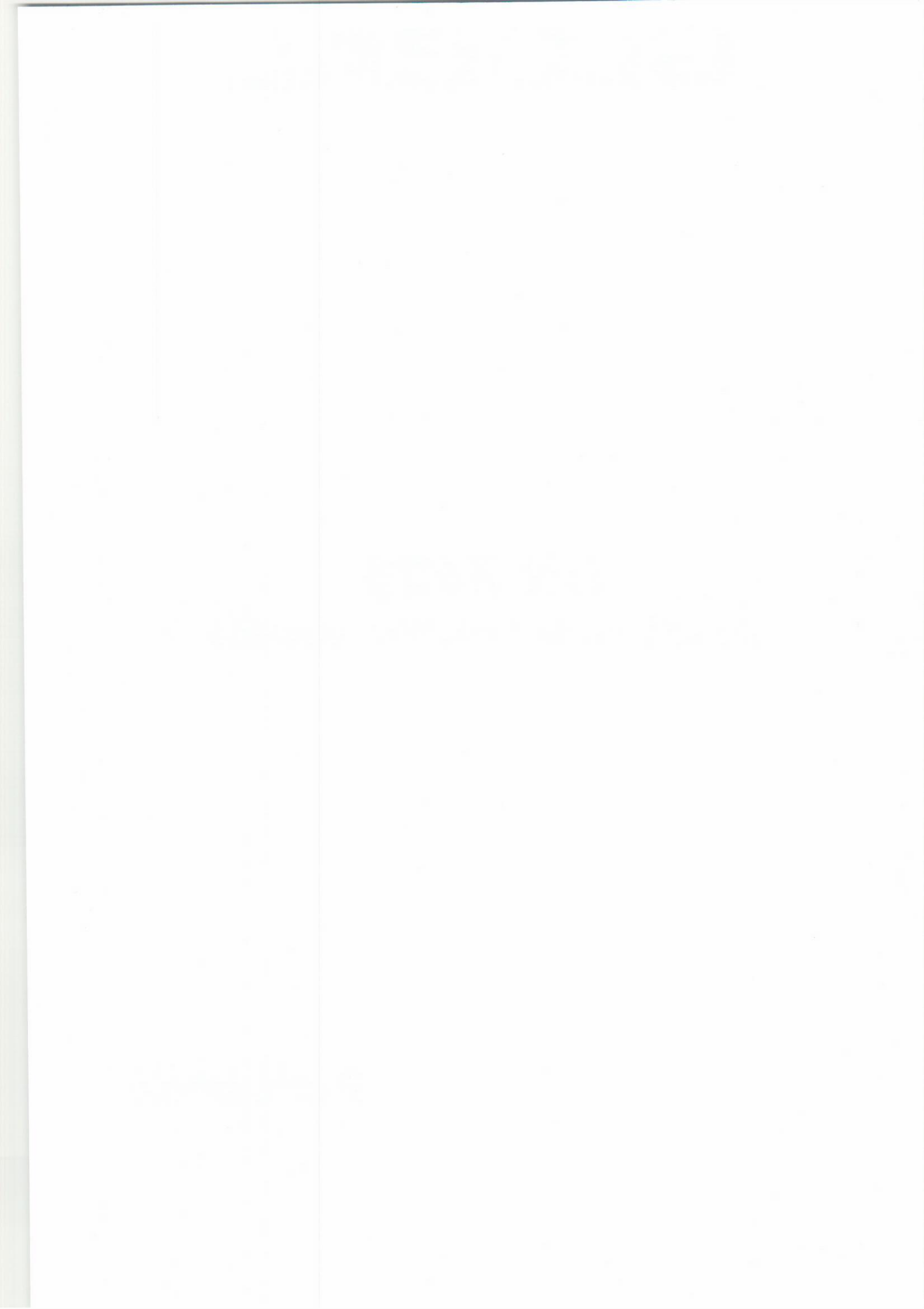
GLOBAL

DN 8420

Double needle lockstitch machine

Parts book

Always switch off the electricity when working on
the machine.

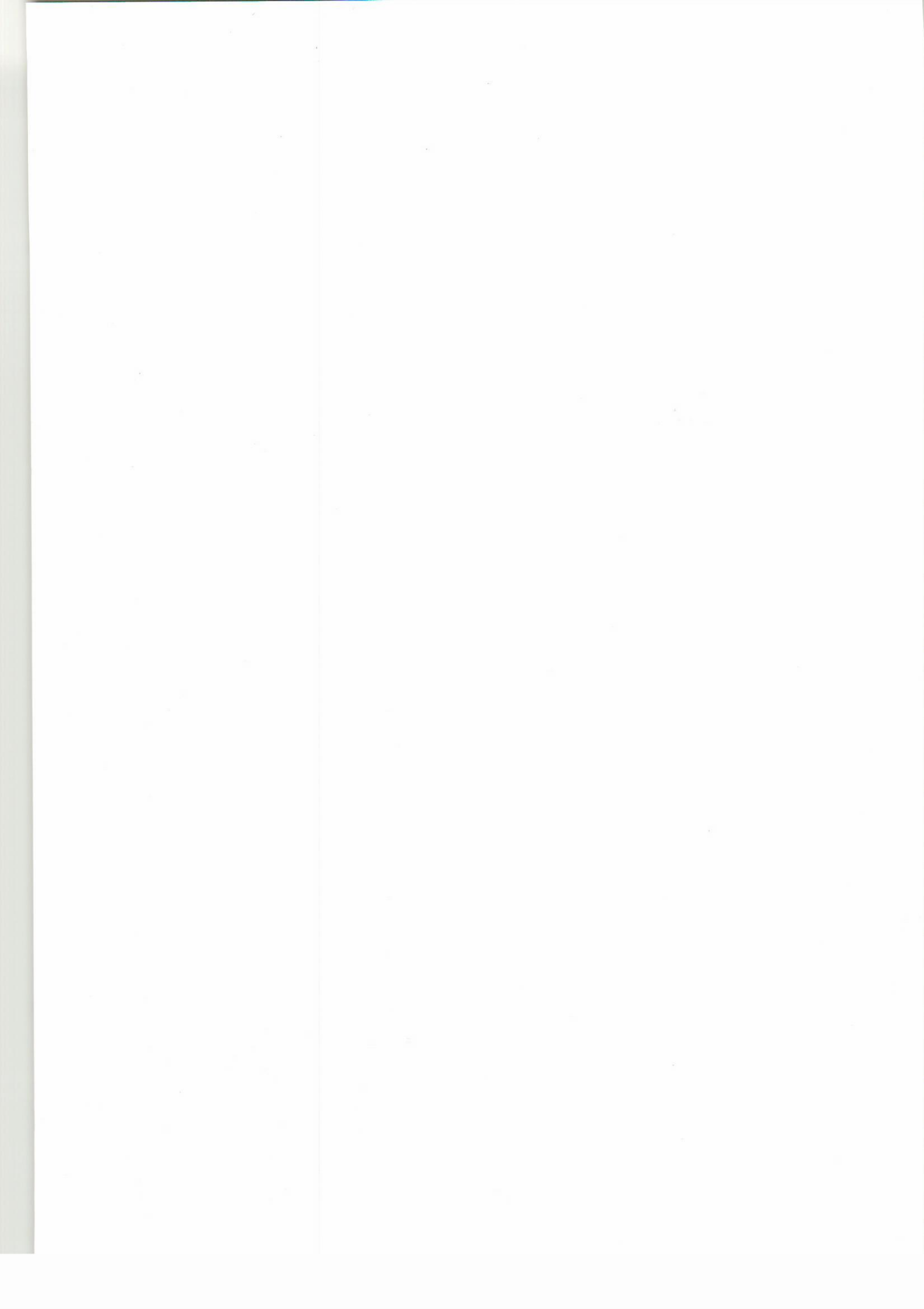


8450B


零件手册
PARTS BOOK

双针平缝角缝缝纫机

TWIN NEEDLE SPLIT NEEDLE BAR LOCK STITCHER



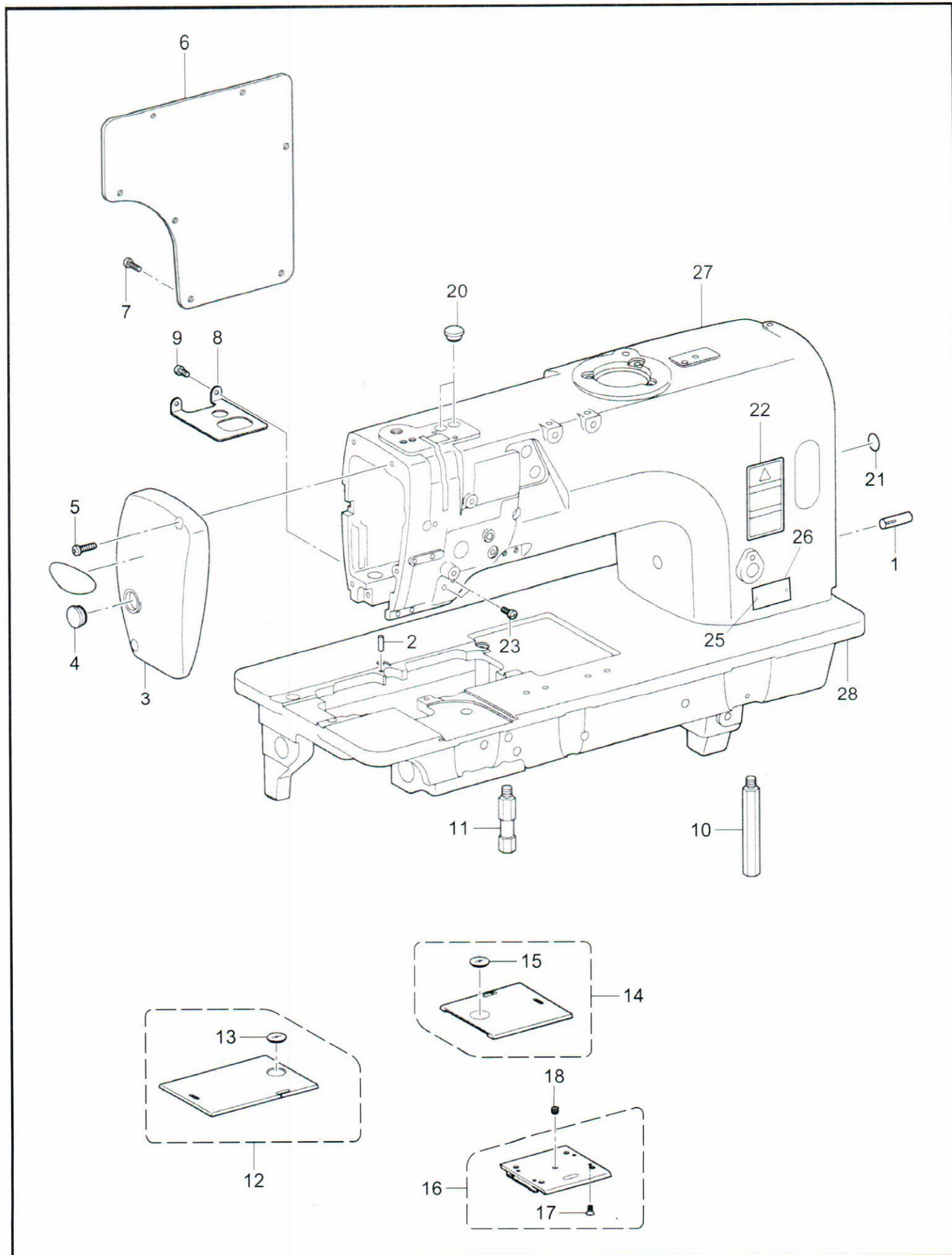
Notes for using this parts book

1. Parts are subject to changes in design without prior notice.
2. Parts supplied as complete assemblies are circled by a dotted line .
3. If the symbol * is found in the "Parts No." column, refer to the different parts list, gauge parts list on page 38-43.

CONTENTS

A. Machine body	1
B. Upper shaft mechanism	3
C. Needle bar rocking mechanism	5
D. Needle bar flip-up mechanism	9
E. Presser foot mechanism	11
F. Feed mechanism	13
G. Feed shaft mechanism	15
J1. Rotary hook mechanism	17
J2. Rotary hook mechanism	21
H. Gauge parts	21
K. Lower shaft mechanism	23
L. Lubrication	25
M. Threading mechanism	29
N. Bobbin winder mechanism	31
Z1. Accessories	33
Z2. Accessories	35
Wa. Warning labels	37
SP. Different parts list	38
Ga. Gauge parts list	39
Index	44

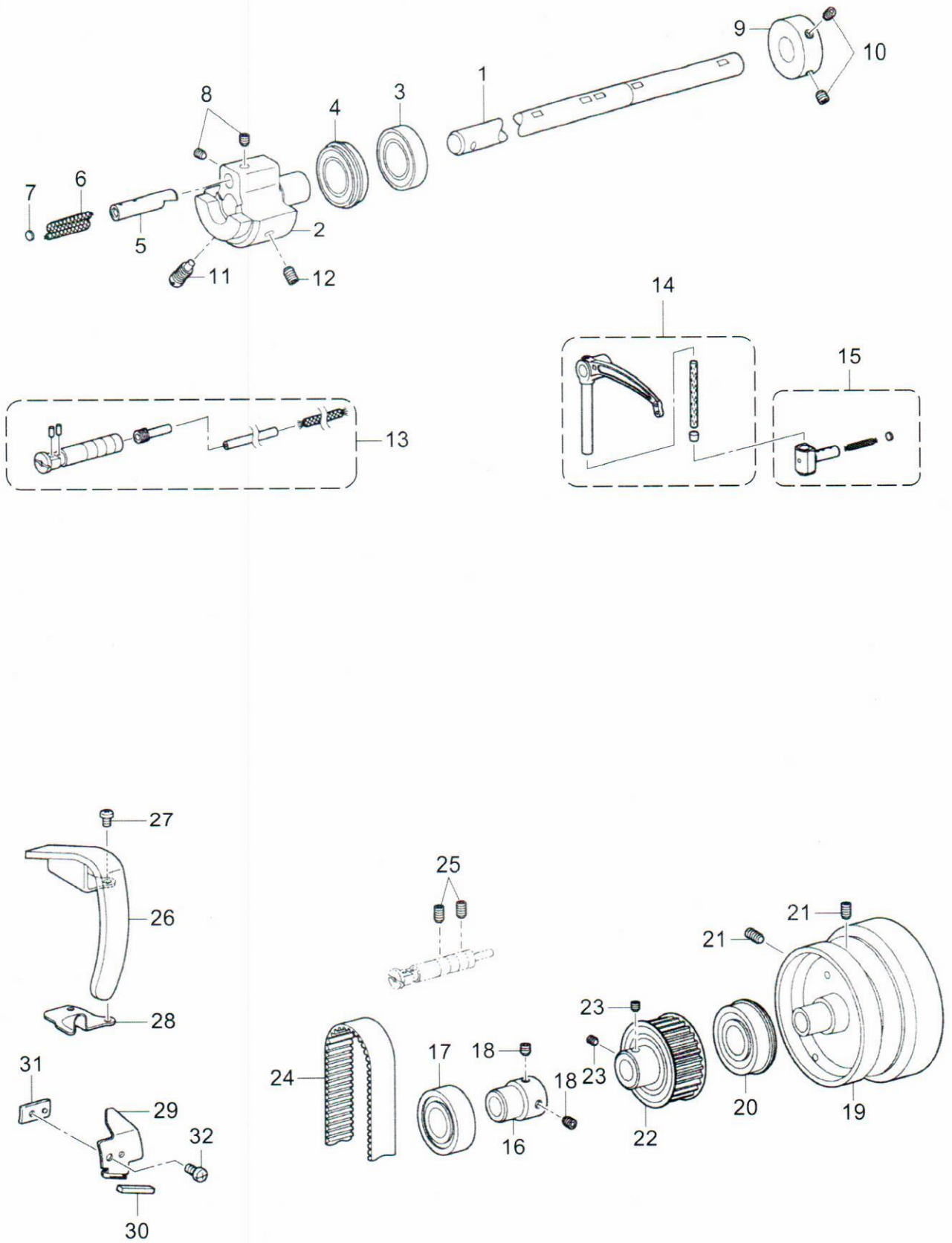
A. 机体部分 / Machine body



A. 机体部分 / Machine body

序号	图号	件号	零部件名称	NAME OF PARTS	数量
1	31A-1	140063001	带槽销	DOWEL PIN	1
2	31A-2	SA3924001	定位销	POSITIONING PIN	1
3	32A-3	SA4364001	面板	FACE PLATE	1
4	32A-4	104449001	橡皮塞 15.5	RUBBER CAP, 15.5	1
5	31D-24	062501416	螺钉 M5 × 14	SCREW PAN M5 × 14	2
6	31A-6	SA2441001	侧板	REAR COVER	1
7	31A-7	062501216	螺钉 M5 × 12	SCREW PAN M5 × 12	7
8	32A-8	SA4370001	防尘板	DUST PROTECTOR	1
9	31A-9	062500616	螺钉 M5 × 6	SCREW PAN M5 × 6	2
10	31A-10	SA2444001	脚柱 L	BED LEG, L	1
11	31A-11	SA2445001	脚柱 S	BED LEG, S	1
12	31A-12	SA2447001	推板LA组件	SLIDE PLATE, LA ASSY	1
13	31A-13	SA2479001	推板窗	BOBBIN WINDOW	1
14	31A-14	SA2449001	推板R组件	SLIDE PLATE ASSY, R	1
15	31A-13	SA2479001	推板窗	BOBBIN WINDOW	1
16	31A-16	S36663051	前推板组件	SLIDE PLATE F ASSY	1
17	31A-17	S34438051	螺钉 1/8-40 × 4	SCREW, FLAT 1/8-40 × 4	4
18	31A-18	116010001	螺钉 13/64-32 × 4.3	SET SCREW, 13/64-32 × 4.3	1
20	31A-4	SA2929001	橡皮塞 12.5	RUBBER CAP, 12.5	2
21	31A-21	S37060001	接地标记	LABEL, GROUNDING	1
22	31A-22		操作注意标签	LABEL, CAUTION	1
23	31A-5	062500816	螺钉 M5 × 8	SCREW PAN M5 × 8	2
25	2A-14-14		铆钉	RIVET	2
26	32A-26		标牌	NAMEPLATE	1
27	32A-27		机壳	ARM	1
28	32A-28		底板	RED	1

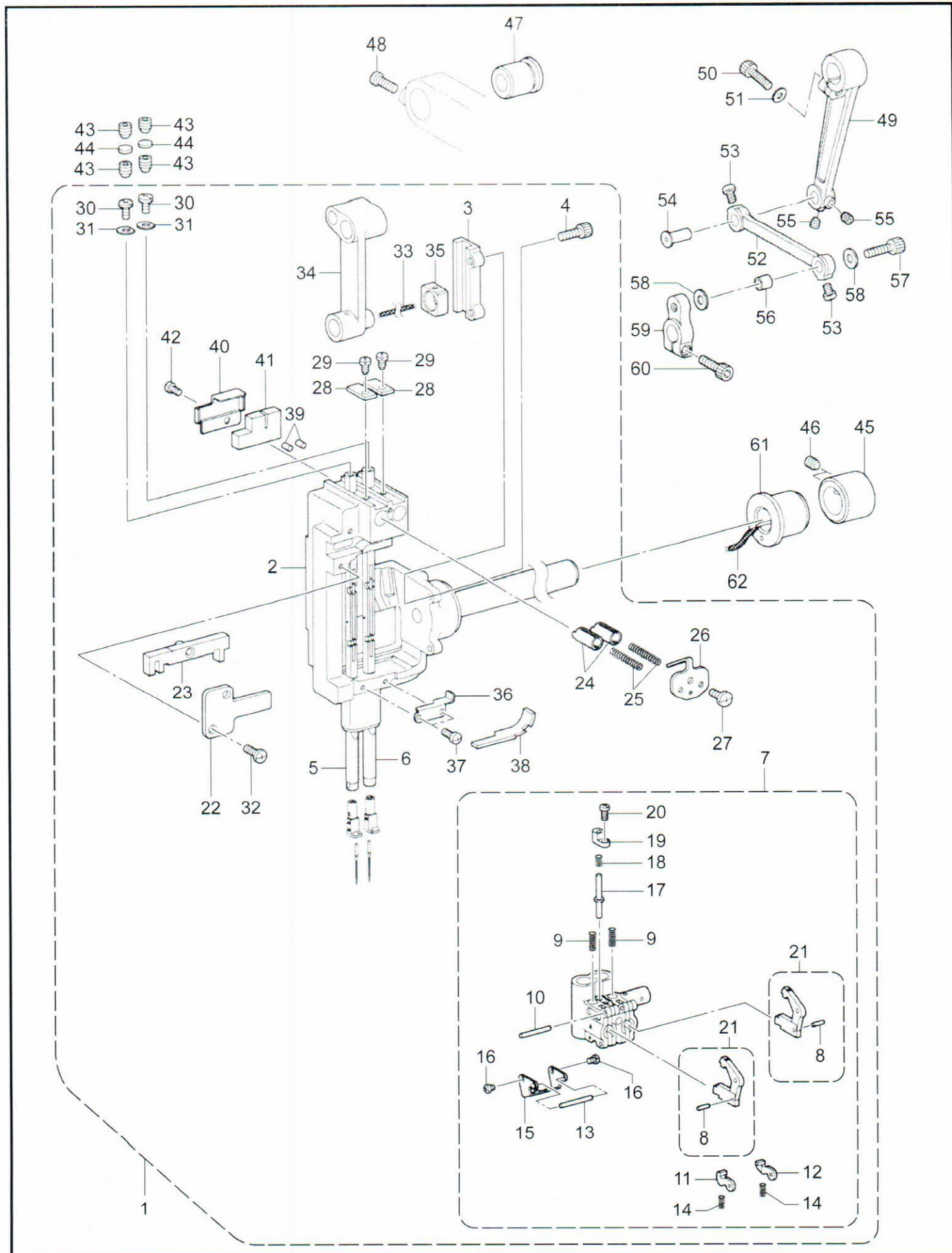
B. 上轴装置 / Upper shaft mechanism



B. 上轴装置 / Upper shaft mechanism

序号	图号	件号	零部件名称	NAME OF PARTS	数量
1	32B-1	SA4550001	上轴 ST	UPPER SHAFT, ST	1
2	32B-2	SA4373001	挑线杆曲柄	THREAD TAKE-UP CRANK	1
3	31B-3	S25234001	球轴承 6004ZZ	BALL BEARING, 6004ZZ	1
4	31B-4	S38707001	球轴承 6004ZZNR	BALL BEARING, 6004ZZNR	1
5	31B-5	S38398001	针杆曲柄轴	CRANKSHAFT, N-BAR	1
6	31B-6	SA4335001	油线 6×6 L=90	WICK, 6×6(L=90)	1
7	31B-7	113014000	油线盖	PUSHER	1
8	31B-8	S25260001	固定螺钉 M6-0.75×5	SET SCREW, SOCKET (FT) M6-0.75×5	2
9	31B-9	SA1120001	卷线驱动轮	BOBBIN WINDER DRIVING WHEEL	1
10	31B-10	S23651001	固定螺钉 M6-0.75×6	SET SCREW, SOCKET (FT) M6-0.75×6	2
11	31B-11	S25235001	螺钉 M8	SCREW, M8	1
12	31B-12	S25236001	螺钉 M6-0.75×10	SET SCREW, SOCKET (FT) M6-0.75×10	1
13	31B-13	SA2861001	挑线杆支撑轴总组件	THREAD TAKE-UP S-SHAFT UNIT	1
14	31B-14	SA2936101	挑线杆S5-L组件	THREAD TAKE-UP LEVER ASSY, S5-L	1
15	31B-15	S13160001	挑线杆接头滑块组件 2	T-TAKE-UP SLIDE BLOCK ASSY, 2	1
16	31B-23	SA2748001	轴承套座	BALL BEARING BUSH	1
17	31B-24	076023800	R球轴承 60/22ZZ	BALL BEARING RADIAL 60/22ZZ	1
18	31B-10	S23651001	固定螺钉 M6-0.75×6	SET SCREW, SOCKET (FT) M6-0.75×6	2
19	31B-26	SA2750001	手轮	PULLEY	1
20	31B-4	158115001	球轴承 6204ZZNR	BALL BEARING, 6204ZZNR	1
21	B-17	012061036	螺钉 M6×10	SET SCREW SOCKET (FT) M6×10	2
22	31B-29	SA2720101	同步轮U ST组件	TIMING PULLEY ASSY, U ST	1
23	31B-10	SA4214001	固定螺钉 M6-0.75×6	SET SCREW, SOCKET (FT) M6-0.75×6	2
24	31B-31	SA2463001	同步皮带	TIMING BELT	1
25	31B-28	012061036	螺钉 M6×10	SET SCREW SOCKET (FT) M6×10	2
26	31B-33	SA2469001	挑线杆防护罩	THREAD TAKE-UP LEVER COVER	1
27	31A-5	062500816	螺钉 M5×8	SCREW PAN M5×8	2
28	32B-28	SA4537001	防尘盖	DUST COVER	1
29	32B-29	SA4376101	遮掩板	SHELTER PLATE	1
30	31B-37	SA3065001	油毡	FELT	1
31	31B-38	SA3059001	遮掩板支座	HOLDER, SHELTER PLATE	1
32	31A-5	062500816	螺钉 M5×8	SCREW PAN M5×8	1

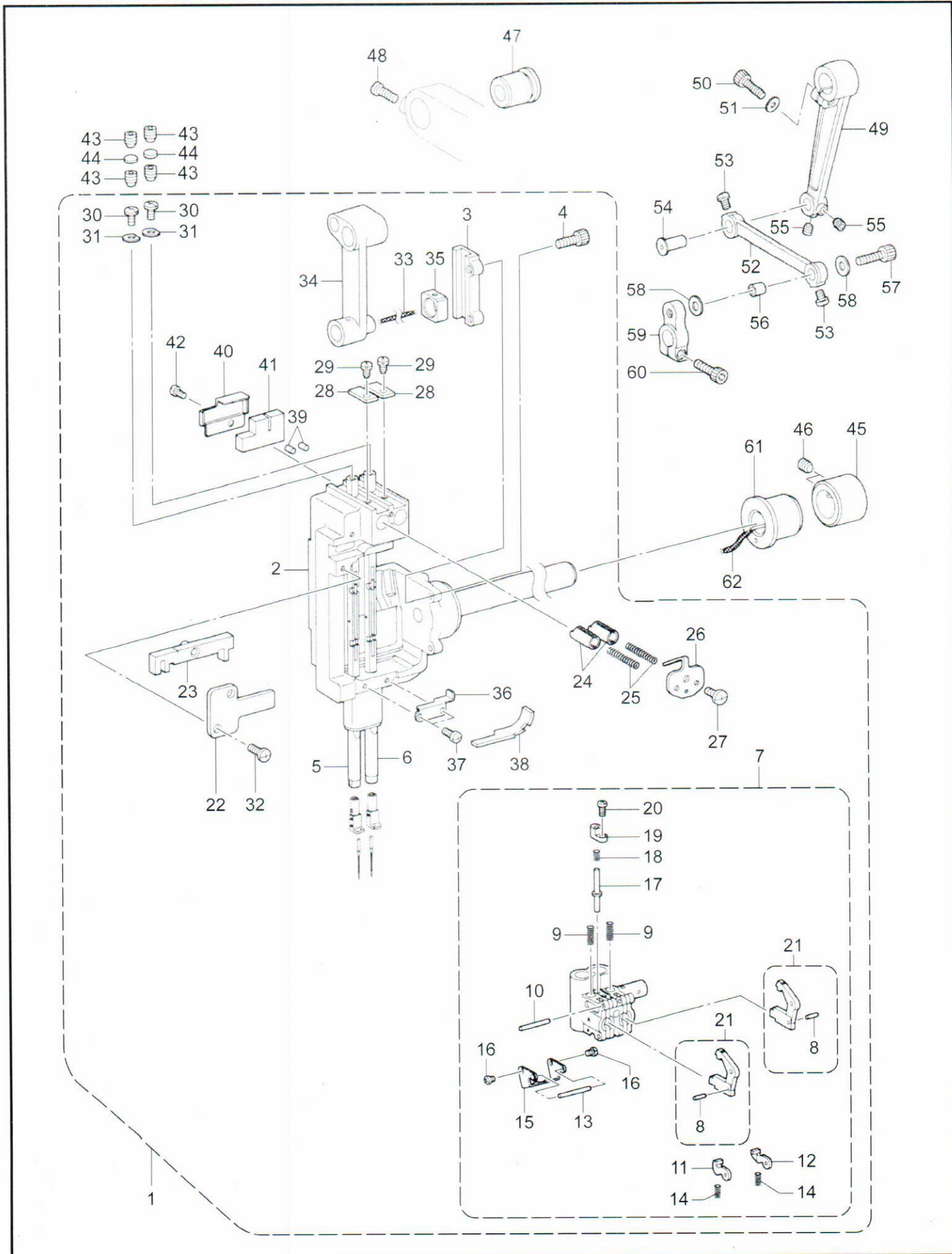
C. 针杆摆动装置 / Needle bar rocking mechanism



C. 针杆摆动装置 / Needle bar rocking mechanism

序号	图号	件号	零部件名称	NAME OF PARTS	数量
1	32C-1	SA4377001	针杆摆动轴组件	NEEDLE BAR ROCKER SHAFT ASSY	1
2	32C-2	SA4378001	针杆台组件	NEEDLE BAR BASE ASSY	1
3	32C-3	SA2474101	角滑块槽	SLIDE BLOCK SLIDER	1
4	C-25	018401036	螺钉 M4 × 10	BOLT SOCKET M4 × 10	2
5	32C-5	SA4382001	针杆组件 L	NEEDLE BAR ASSY, L	1
6	32C-6	SA4385001	针杆组件 R	NEEDLE BAR ASSY, R	1
7	32C-7	SA4387001	请确认零部件图号后再订货 针杆抱箍组件	Need check the "Mark" the above parts before ordering. NEEDLE BAR CLAMP ASSY <Mark A>	1
7	32C-7B	SA4387002	针杆抱箍组件	NEEDLE BAR CLAMP ASSY <Mark B>	1
7	32C-7C	SA4387003	针杆抱箍组件	NEEDLE BAR CLAMP ASSY <Mark C>	1
8	32C-8	149604001	销 1.5 × 5.8	PIN, 1.5 × 5.8	2
9	32C-9	149605001	离合器摆杆弹簧	SPRING, CLUTCH LEVER	2
10	32C-10	149827001	销 2 × 15.8	PIN, 2 × 15.8	1
11	32C-11	S34561001	止动块 L	CLUTCH STOPPER, L	1
12	32C-12	S34562001	止动块 R	CLUTCH STOPPER, R	1
13	32C-13	149608001	销 2 × 17.8	PIN, 2 × 17.8	1
14	32C-14	112609001	推板止动簧	SPRING	2
15	32C-15	SA4391001	弹簧支架	SPRING HOLDER	1
16	32C-16	062260316	螺钉 M2.6-0.45 × 3	SCREW PAN M2.6-0.45 × 3	2
17	32C-17	149640001	销	PIN	1
18	32C-18	149611101	离合销弹簧	SPRING, RELEASE PIN	1
19	32C-19	SA4392001	离合销盖	PIN COVER	1
20	32C-20	062260516	螺钉 M2.6-0.45 × 5	SCREW PAN M2.6-0.45 × 5	1
21	32C-21	SA4389001	离合器摆动杆组件	CLUTCH LEVER ASSY	2
22	32C-22	SA4395001	角滑块导向板	SLIDE BLOCK GUIDE PLATE	1
23	32C-23	S07575000	请确认零部件图号后再订货 滑块组件	Need check the "Mark" the above parts before ordering. SLIDE BLOCK ASSY, 25 <Mark 25>	1
23	32C-23B	S07575001	滑块组件	SLIDE BLOCK ASSY, 30 <Mark 30>	1
23	32C-23C	S07575002	滑块组件	SLIDE BLOCK ASSY, 35 <Mark 35>	1
23	32C-23D	S07575003	滑块组件	SLIDE BLOCK ASSY, 40 <Mark 40>	1
23	32C-23E	S07575004	滑块组件	SLIDE BLOCK ASSY, 45 <Mark 45>	1
23	32C-23F	S07575005	滑块组件	SLIDE BLOCK ASSY, 50 <Mark 50>	1
23	32C-23G	S07575006	滑块组件	SLIDE BLOCK ASSY, 55 <Mark 55>	1
23	32C-23H	S07575007	滑块组件	SLIDE BLOCK ASSY, 60 <Mark 60>	1
23	32C-23K	S07575008	滑块组件	SLIDE BLOCK ASSY, 65 <Mark 65>	1
23	32C-23L	S07575009	滑块组件	SLIDE BLOCK ASSY, 70 <Mark 70>	1
23	32C-23M	S07575010	滑块组件	SLIDE BLOCK ASSY, 75 <Mark 75>	1
23	32C-23N	S07575011	滑块组件	SLIDE BLOCK ASSY, 80 <Mark 80>	1
24	32C-24	SA4583001	针杆定位	STOPPER, N-BAR	2
25	32C-25	149622001	针杆止动器弹簧	SPRING, N-BAR STOPPER	2
26	32C-26	SA4396001	弹簧盖	SPRING COVER	1
27	32C-27	060350616	螺钉 M3.5 × 5.8	SCREW BIND M3.5 × 5.8	1
28	32C-28	SA4397001	针杆定位	ROTATE STOPPER, N-BAR	2
29	32C-29	SA4398001	螺钉 M3.5	SCREW, M3.5	2
30	32C-27	060350616	螺钉 M3.5 × 5.8	SCREW BIND M3.5 × 5.8	2
31	32C-31	SA4399001	垫圈	WASHER, PLANE	2
32	31C-7	062350816	螺钉 M3.5 × 8	SCREW PAN M3.5 × 8	2
33	31C-8	112728001	油线 L=50	WICK, L=50	1
34	32C-34	SA4393001	针杆曲柄连杆	CRANK ROD, N-BAR	1
35	32C-35	SA4394001	角滑块	SLIDE BLOCK	1
36	32C-36	SA4401001	油毡下支架 D	FELT SUPPORT, D	1
37	32C-37	062350616	螺钉 M3.5 × 6	SCREW PAN M3.5 × 6	2
38	32C-38	SA4400001	油毡	FELT	1
39	32C-39	107155001	油毡	FELT	2
40	32C-40		油毡架	FELT SUPPORT	1
41	32C-41	SA5237001	油毡	FELT	1
42	32C-42	062350516	螺钉 M3.5 × 5	SCREW PAN M3.5 × 5	1

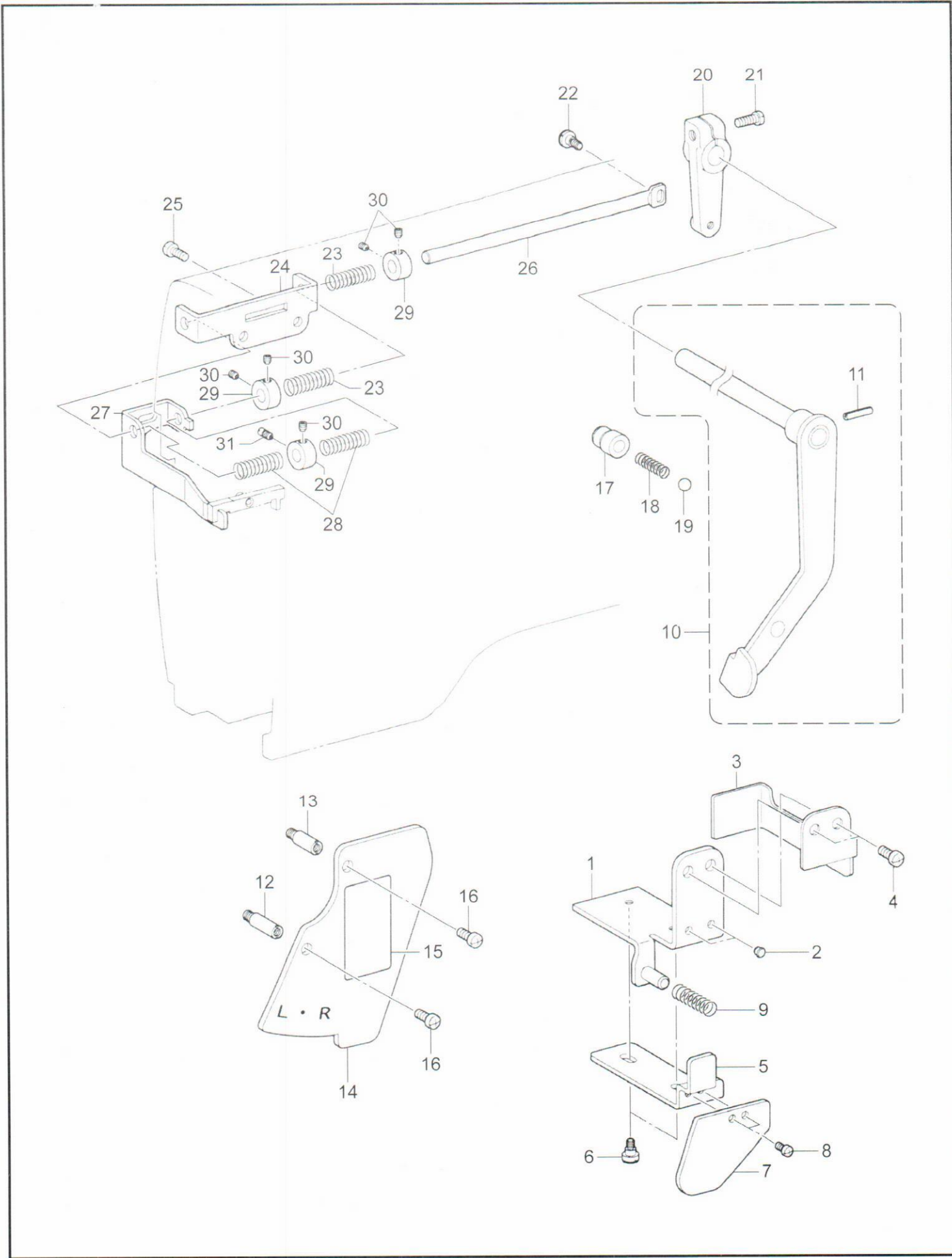
C. 针杆摆动装置 / Needle bar rocking mechanism



C. 针杆摆动装置 / Needle bar rocking mechanism

序号	图号	件号	零部件名称	NAME OF PARTS	数量
43	32C-43	014080831	固定螺钉 M8 × 8	SET SCREW SOCKET (CP) M8 × 8	4
44	32C-44	154567000	衬垫 5.3	SPACER, 5.3	2
45	32C-45	SA2485001	紧圈	SET SCREW COLLAR	1
46	31B-8	S25260001	固定螺钉 M6-0.75 × 5	SET SCREW, SOCKET (FT) M6-0.75 × 5	2
47	31C-30	SA2486101	摆动轴轴套 R	BUSH, R	1
48	31C-32	062061616	固定螺钉 M6 × 16	SCREW PAN M6 × 16	1
49	31C-33	SA2489001	针杆摆动连杆	NEEDLE BAR ROCKER LEVER ASSY	1
50	2A-14-13	018062032	螺栓 M6 × 20	BOLT SOCKET M6 × 20	1
51	31C-35	118735002	垫圈	WASHER	1
52	31C-36	SA2490101	针杆摆动杆	ROCKER LINK, N-BAR	1
53	31E-7	S23460001	螺钉 M6 × 5	SCREW, PAN M6 × 5	2
54	31C-38	SA4117001	摆动杆轴 P	LINK SHAFT, N-BAR ROCKER P	1
55	A-58	012060636	螺钉 M6 × 6	SET SCREW SOCKET (FT) M6 × 6	2
56	31C-40	SA4118001	摆动杆轴套 P	ZIGZAG LINK BUSH, P	1
57	31C-41	018062532	内六角螺栓 M6 × 25	BOLT SOCKET M6 × 25	1
58	31C-42	SA2493001	垫圈	WASHER, PLAIN	2
59	31C-43	SA2494001	针杆摆动臂	NEEDLE BAR ROCK ARM	1
60	2A-14-13	018062032	螺栓 M6 × 20	BOLT SOCKET M6 × 20	1
61	32C-61	SA5332001	轴套 L	BUSH, L	1
62	32C-62	S48204000	油线 4 × 4 L=150	WICK, 4 × 4 L=150	1

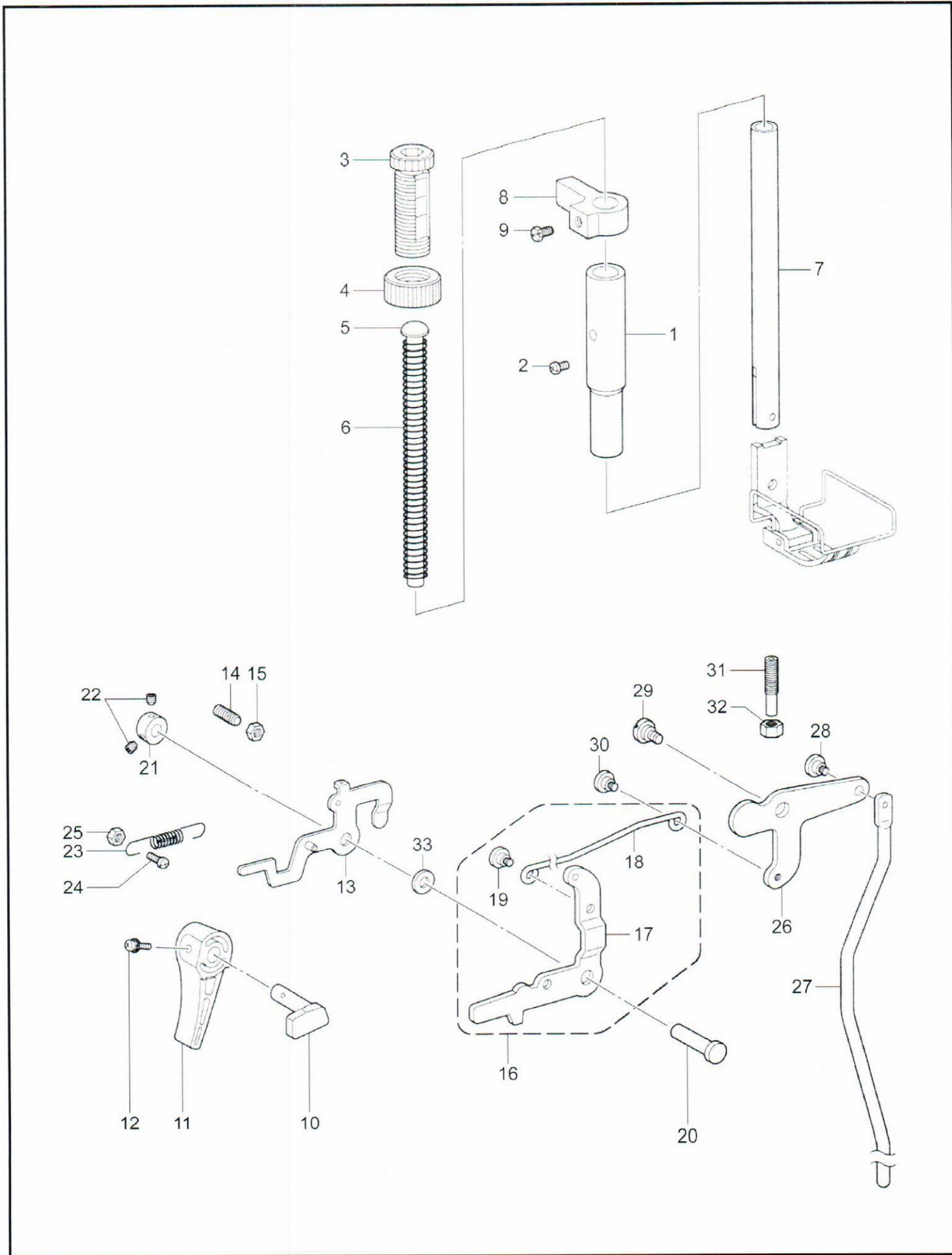
D. 针杆切换操作装置 / Needle bar flip-up mechanism



D. 针杆切换操作装置 / Needle bar flip-up mechanism

序号	图号	件号	零部件名称	NAME OF PARTS	数量
1	32D-1	SA4402001	指示板组件	INDICATION PLATE ASSY	1
2	32D-2	104833001	橡皮塞 4.3	RUBBER CAP, 4.3	2
3	32D-3	SA5336001	指示板盖	HOLDER PLATE COVER	1
4	31E-3	062501016	螺钉 M5 × 10	SCREW PAN M5 × 10	2
5	32D-5	SA4404001	压杆	PUSH LEVER	1
6	32D-6	SA4441001	销轴螺钉 M4	SHOULDER SCREW, M4	2
7	32D-7	SA4405001	压杆板	PLATE, PUSH LEVER	1
8	32C-42	062350516	螺钉 M3.5 × 5	SCREW PAN M3.5 × 5	2
9	32D-9	SA5333001	弹簧	SPRING	1
10	32D-10	SA4406001	定位杆轴组件	STOP LEVER SHAFT ASSY	1
11	32D-11	047301842	弹簧销 AW3 × 18	PIN SPRING ROLL AW3 × 18	1
12	32D-12	SA4408001	螺栓 L	STUD, L	1
13	32D-13	SA4409001	螺栓 S	STUD, S	1
14	32D-14	SA4411101	切换指示板	FLIP-UP HOLDER PLATE	1
15	32D-15		针距指示标签	LABEL	1
16	31A-5	062500816	螺钉 M5 × 8	SCREW PAN M5 × 8	2
17	32D-17	SA4412001	轴承导向套	BALL GUIDE BUSH	1
18	32D-18	150820001	弹簧	SPRING	1
19	32D-19	071063550	钢球 1/4	BEARING BALL, 1/4	1
20	32D-20	SA4413001	轴臂	ARM, LEVER SHAFT	1
21	31D-24	062501416	螺钉 M5 × 14	SCREW PAN M5 × 14	1
22	32D-22	S23773001	螺钉 M4	SHOULDER SCREW, M4	1
23	32D-23	SA4414001	弹簧	SPRING	2
24	32D-24	SA4415001	滑轴架	SLIDE SHAFT BRACKET	1
25	31A-5	062500816	螺钉 M5 × 8	SCREW PAN M5 × 8	2
26	32D-26	S07588101	滑动轴	SLIDE SHAFT	1
27	32D-27	SA4416001	支架板	SUPPORT PLATE, SLIDE SHAFT	1
28	32D-28	149863001	弹簧	SPRING, PLATE	2
29	32D-29	SA4417001	紧圈	SET SCREW COLLAR	3
30	B-40	014400432	螺钉 M4 × 4	SET SCREW SOCKET (CP) M4 × 4	5
31	32D-31	SA4418001	导向螺钉	GUIDE SCREW	1

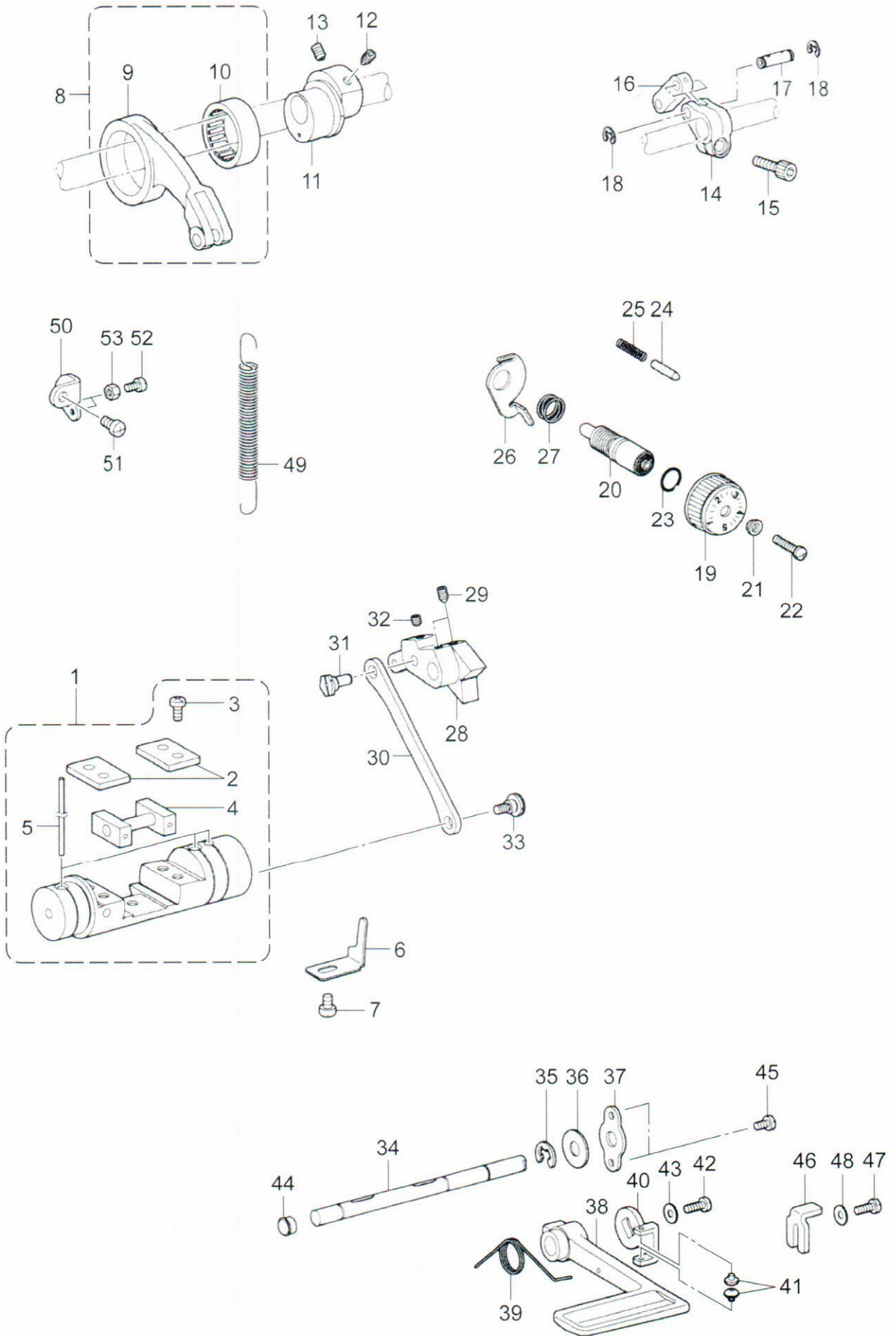
E. 压脚装置 / Presser foot mechanism



E. 压脚装置 / Presser foot mechanism

序号	图号	件号	零部件名称	NAME OF PARTS	数量
1	31D-1	SA2495001	压杆轴套	PRESSER BAR BUSH	1
2	31A-5	062500816	螺钉 M5 × 8	SCREW PAN M5 × 8	1
3	31D-3	SA1174001	调节螺栓 M14-1	PRESSER ADJUSTING SCREW, M14-1	1
4	31D-4	SA1175001	调节螺母 M14-1	ADJUST SCREW NUT, M14-1	1
5	31D-5	141208001	弹簧导杆	SPRING GUIDE	1
6	31D-6	S07346101	压紧弹簧	PRESSER BAR SPRING	1
7	31D-7	SA2496001	压紧杆	PRESSER BAR	1
8	31D-8	SA2498001	压杆抱箍	GUIDE BRACKET, P-BAR	1
9	31D-9	S25289001	螺栓 M6 × 10	BOLT, (CP) M6 × 10	1
10	31D-10	SA2499001	压杆提升曲柄	PRESSER BAR LIFTING CRANK	1
11	31D-11	S31006001	抬压脚板手	LIFTING LEVER	1
12	31D-12	S39051001	螺钉 (带垫圈) M3.5 × 12	SCREW, PAN (S/P W) M3.5 × 12	1
13	31D-13	S07353001	松线板组件	TENSION RELEASE PLATE ASSY	1
14	31D-14	012061832	螺钉 M6 × 18	SET SCREW, SOCKET (FT) M6 × 18	1
15	31D-15	021060306	六角螺母 M6	NUT M6	1
16	31D-16	SA2500001	膝控连杆组件	KNEE LIFTER C-ROD ASSY	1
17	31D-17	SA2501001	抬压脚连杆	PRESSER BAR LIFTING LEVER	1
18	31D-18	SA2502001	膝控连杆	KNEE LIFTER CONNECTING ROD	1
19	31D-19	SA1179001	铰链螺钉 M5	SHOULDER SCREW, M5	1
20	31D-20	S07349001	压紧杆提升杠杆销	P-BAR LIFTING LEVER SHAFT	1
21	31D-21	SA2504001	紧圈	SET SCREW COLLAR	1
22	13D-18	012500536	螺钉 M5 × 5	SET SCREW SOCKET (FT) M5 × 5	2
23	31D-23	S07355051	弹簧	SPRING, EXTENSION	1
24	31D-24	062501416	螺钉 M5 × 14	SCREW PAN M5 × 14	1
25	31D-25	021500106	六角螺母 M5	NUT M5	1
26	31D-26	SA2506001	膝控提升杠杆	KNEE LIFTER LEVER	1
27	31D-27	SA2507001	膝控提升杆	KNEE LIFTER BAR	1
28	31D-19	SA1179001	铰链螺钉 M5	SHOULDER SCREW, M5	1
29	31D-29	SA2165001	铰链螺钉 M6	SHOULDER SCREW, M6	1
30	31D-19	SA1179001	铰链螺钉 M5	SHOULDER SCREW, M5	1
31	31D-31	SA4149001	调整螺钉 M6	ADJUSTING SCREW, M6	1
32	A-35	021060306	六角螺母 M6	NUT M6	1
33	31D-33	S07350001	垫圈	WASHER, PLAIN	1

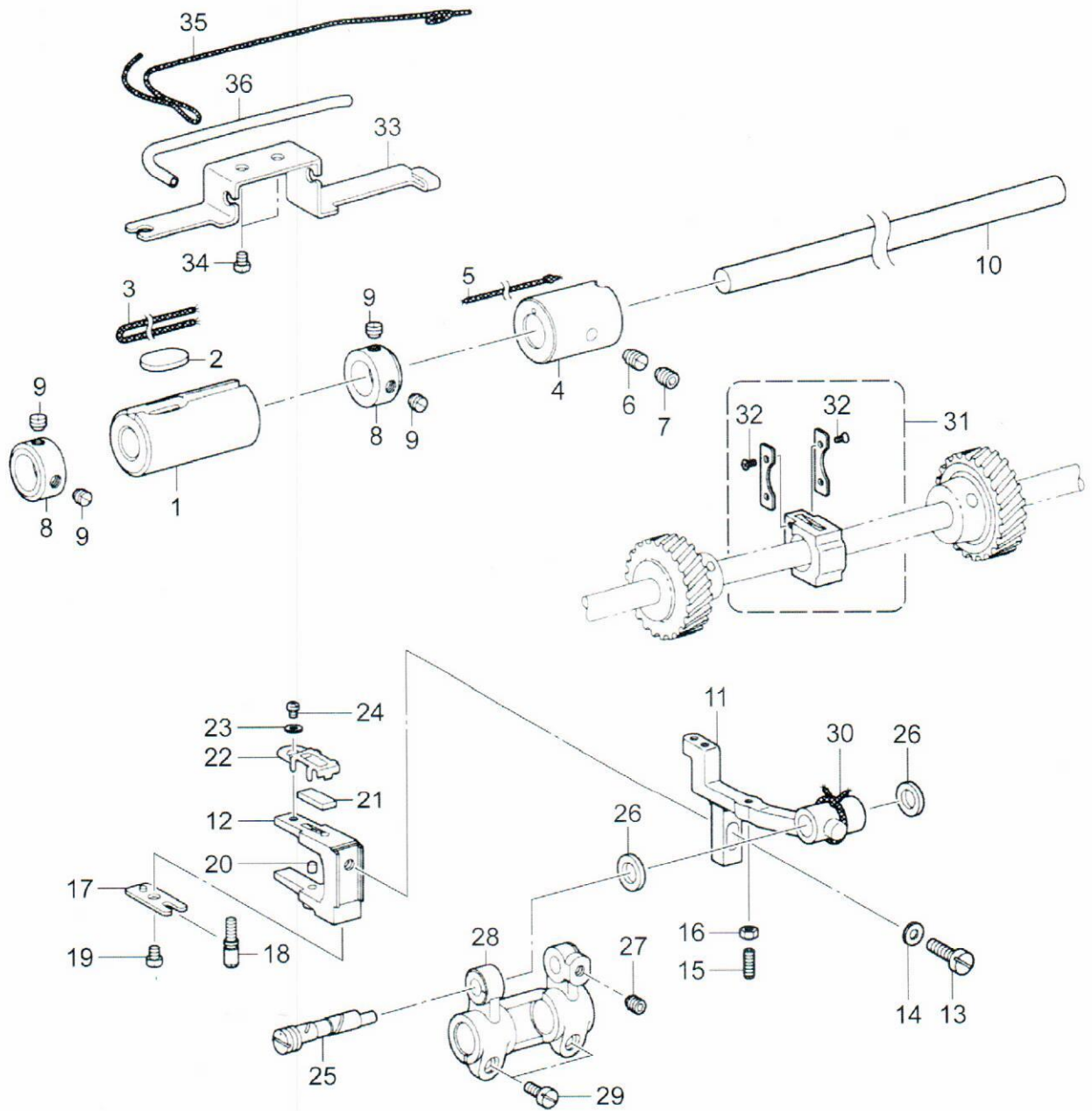
F. 送布装置 / Feed mechanism



F. 送布装置 / Feed mechanism

序号	图号	件号	零部件名称	NAME OF PARTS	数量
1	31E-1	SA2509001	切换器组件	FEED REGULATOR ASSY	1
2	31E-2	SA2511001	滑块导向	GUIDE PLATE	2
3	31E-3	062501016	螺钉 M5 × 10	SCREW PAN M5 × 10	4
4	31E-4	SA2512001	滑块组件	SLIDE BLOCK ASSY	1
5	31E-5	SA2515001	油毡	FELT	3
6	31E-6	SA2516001	切换器定位	STOPPER	1
7	31E-7	062060816	螺钉 M6 × 8	SCREW PAN M6 × 8	1
8	31E-8	143611201	送布连杆组件	F-ROCKER CONNECTING ROD ASSY	1
9	31E-9	143612100	送布大连杆	FEED ROCKER CONNECTING ROD	1
10	31E-10	118954000	滚针轴承	NEEDLE BEARING	1
11	31E-11	SA2518001	水平偏心轮 5	LEVEL FEED ECCENTRIC WHEEL 5	1
12	31E-12	SA2585001	固定螺钉 M6-0.75 × 10	SET SCREW, SOCKET (FT) M6-0.75 × 10	1
13	31B-12	S25236001	螺钉 M6-0.75 × 10	SET SCREW, SOCKET (FT) M6-0.75 × 10	1
14	31E-14	SA2521001	水平送料臂 5	FEED ROCKER ARM 5	1
15	2A-14-13	018062032	螺栓 M6 × 20	BOLT SOCKET M6 × 20	1
16	31E-16	143613051	送布小连杆	LINK	1
17	31E-17	143616001	送布曲柄轴	SHAFT	1
18	31E-18	048060342	挡圈 6	RETAINING RING 6	2
19	31E-20	S38427001	针距标盘	STITCH LENGTH DIAL, 5	1
20	31E-21	SA3056001	调节螺栓	FEED REGULATING STUD	1
21	31E-22	142746002	针距标盘套	FEED REGULATING SUPPORTER	1
22	31E-23	129458102	螺钉 3/16-28 × 20	SCREW, 3/16-28 × 20	1
23	31E-24	108549001	O形圈	O RING	1
24	31E-25	S50098101	定位销	POSITIONING PIN	1
25	31E-26	100328001	止动销弹簧	NOTCH SPRING	1
26	31E-27	SA2523001	标盘锁杆	DIAL LOCK LEVER	1
27	31E-28	S39830101	弹簧	SPRING	1
28	31E-29	SA2525001	送料调节器 5	FEED REGULATOR 5	1
29	B-17	016061031	螺钉 M6 × 10	SET SCREW SOCKET (CN) M6 × 10	2
30	31E-31	SA2526001	切换器连杆	CONNECTING ROD	1
31	31E-32	SA2527001	偏心轴	ECCENTRIC SHAFT	1
32	A-58	012060636	螺钉 M6 × 6	SET SCREW SOCKET (FT) M6 × 6	1
33	31E-34	SA2528101	铰链螺钉 M6	SHOULDER SCREW, M6	1
34	31E-35	SA2529101	倒缝手柄轴 TR	SHAFT, R-LEVER TR	1
35	31E-36	048080342	挡圈 8	RETAINING RING 8	1
36	31E-37	025100132	平垫圈 10	WASHER PLAIN 10	1
37	31E-38	SA2530001	垫片	SPACER	1
38	31E-39	S07374109	倒缝扳手	REVERSE STITCHING LEVER	1
39	31E-40	SA2531001	弹簧	SPRING	1
40	31E-41	SA3067001	手柄导向	LEVER GUIDE	1
41	31E-42	S48367000	导向橡皮	RUBBER	2
42	31A-7	062501216	螺钉 M5 × 12	SCREW PAN M5 × 12	1
43	31E-44	025050336	平垫圈 5	WASHER PLAIN 5	1
44	31E-45	104821001	橡皮塞 10.5	RUBBER CAP, 10.5	1
45	31A-5	062500816	螺钉 M5 × 8	SCREW PAN M5 × 8	2
46	31E-47	SA2532001	定位器	STOPPER	1
47	31A-7	062501216	螺钉 M5 × 12	SCREW PAN M5 × 12	1
48	31E-49	025050236	平垫圈 5	WASHER PLAIN 5	1
49	31E-50	S07376101	调节器弹簧	FEED REGULATOR SPRING	1
50	31E-51	SA2533001	弹簧挂钩	SPRING HOOK	1
51	31E-7	062060816	螺钉 M6 × 8	SCREW PAN M6 × 8	1
52	31A-7	062501216	螺钉 M5 × 12	SCREW PAN M5 × 12	1
53	31D-25	021500106	六角螺母 M5	NUT M5	1

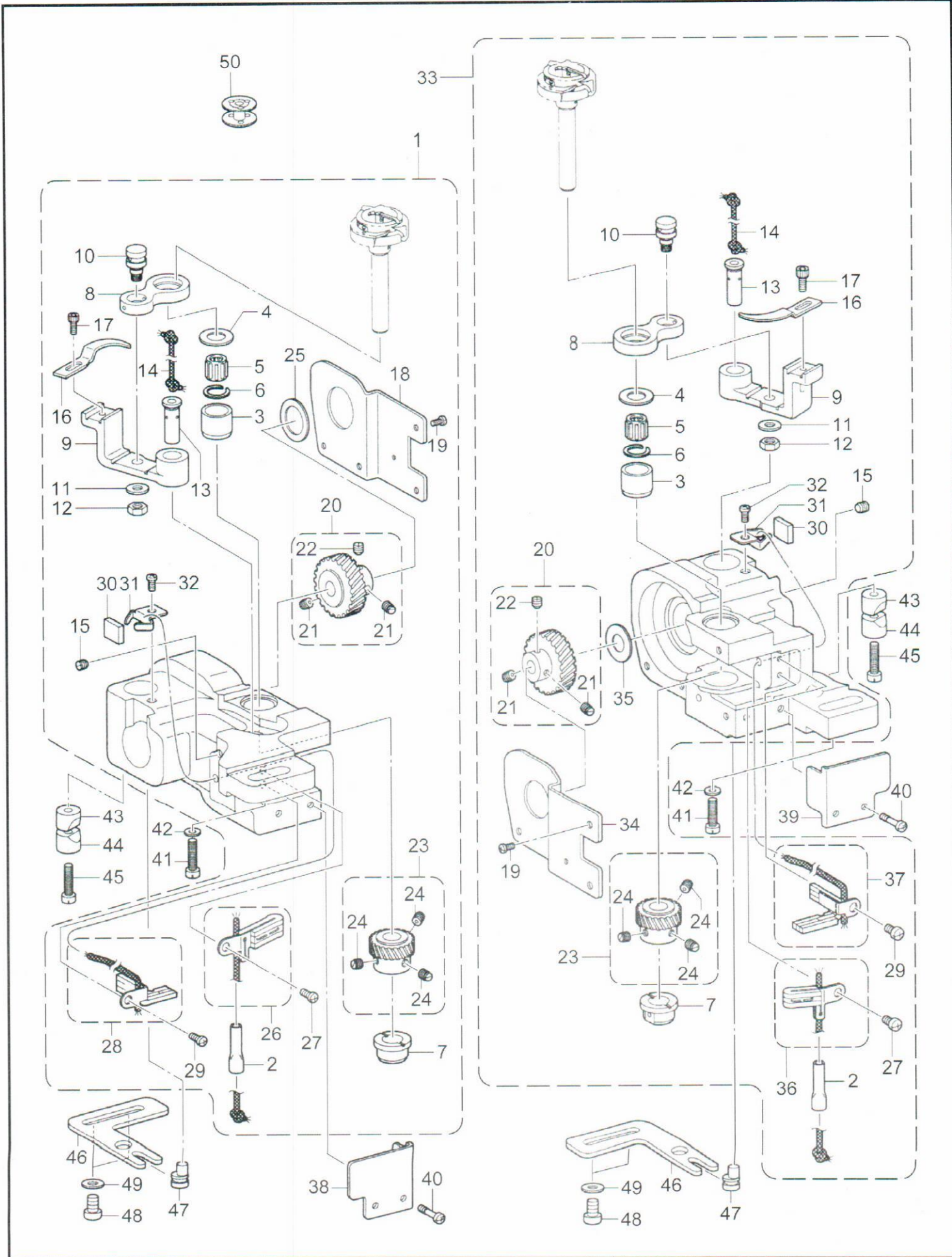
G. 送布轴装置 / Feed shaft mechanism



G. 送布轴装置 / Feed shaft mechanism

序号	图号	件号	零部件名称	NAME OF PARTS	数量
1	31F-1	SA3855001	送布轴套 L	BUSH,L:F-ROCKER SHAFT	1
2	31F-2	SA3965001	油毡	FELT	1
3	31F-3	SA4028001	油线 4 × 4 L=220	WICK, 4 × 4 L=220	1
4	31F-4	SA2543001	送布轴套 R	FEED ROCKER SHAFT BUSH, R	1
5	31F-5	108802001	油线 4 × 4 L=250	WICK, 4 × 4 L=250	1
6	31F-6	SA2544001	螺钉 M6	SET SCREW M6	1
7	A-58	012060636	螺钉 M6 × 6	SET SCREW SOCKET (FT) M6 × 6	1
8	31F-8	SA2546001	紧圈	SET SCREW COLLAR	2
9	31B-10	S23651001	固定螺钉 M6-0.75 × 6	SET SCREW, SOCKET (FT) M6-0.75 × 6	4
10	31F-10	SA3840001	送布轴	FEED ROCKER SHAFT	1
11	31F-11	SA3864001	送布台 ST	FEED BAR, ST	1
12	31F-12	SA3886001	送布台叉	FEED BAR FORK	1
13	31F-13	SA2927001	螺钉 M6 × 14	SCREW, M6 × 14	1
14	31F-14	025060132	平垫圈 6	WASHER PLAIN, 6	1
15	31F-15	SA2566001	螺钉 M3.5 × 12	SET SCREW, M3.5 × 12	1
16	31F-16	021350106	螺母 M3.5	NUT M3.5	1
17	31F-17	SA2553001	开叉板	FORKED PLATE	1
18	31F-18	SA2554001	调整螺栓	ADJUSTING SCREW, HIGHT	1
19	31F-19	062400616	螺钉 M4 × 6	SCREW, PAN M4 × 6	1
20	31F-20	SA3990001	油毡	FELT	1
21	31F-21	SA3887001	油毡	FELT	1
22	31F-22	SA3888001	油毡压架	FELT HOLDER	1
23	9F-44	025030132	平垫圈 3	WASHER PLAIN 3	1
24	31G1-19	062300416	螺钉 M3 × 5	SCREW PAN M3 × 5	1
25	31F-25	SA2550001	送布台安装轴	FEED BAR SHAFT	1
26	31F-26	SA2551001	轴向垫圈	THRUST RING	2
27	A-58	012060636	螺钉 M6 × 6	SET SCREW SOCKET (FT) M6 × 6	1
28	31F-28	SA2555001	水平送布台臂	FEED ROCKER BASE ARM	1
29	31F-29	SA2928001	螺钉 M5 × 12	SCREW, M5 × 12	2
30	32G-30	SA4538001	油线 3 × 3 L=86	WICK, 3 × 3 L=86	1
31	31F-31	SA2806001	角滑块组件	FEED BAR SLIDE BLOCK ASSY	1
32	31F-32	W01519001	螺钉 M2 × 4	SCREW, FLAT M2 × 4	4
33	31F-33	SA4009001	油线支架	WICK SUPPORT	1
34	31F-19	062400616	螺钉 M4 × 6	SCREW PAN M4 × 6	2
35	31F-35	SA2724001	油线 L=400	WICK, L=400	1
36	31F-36	SA4011001	维尼龙油管 L=100	OIL TUBE, L=100	1

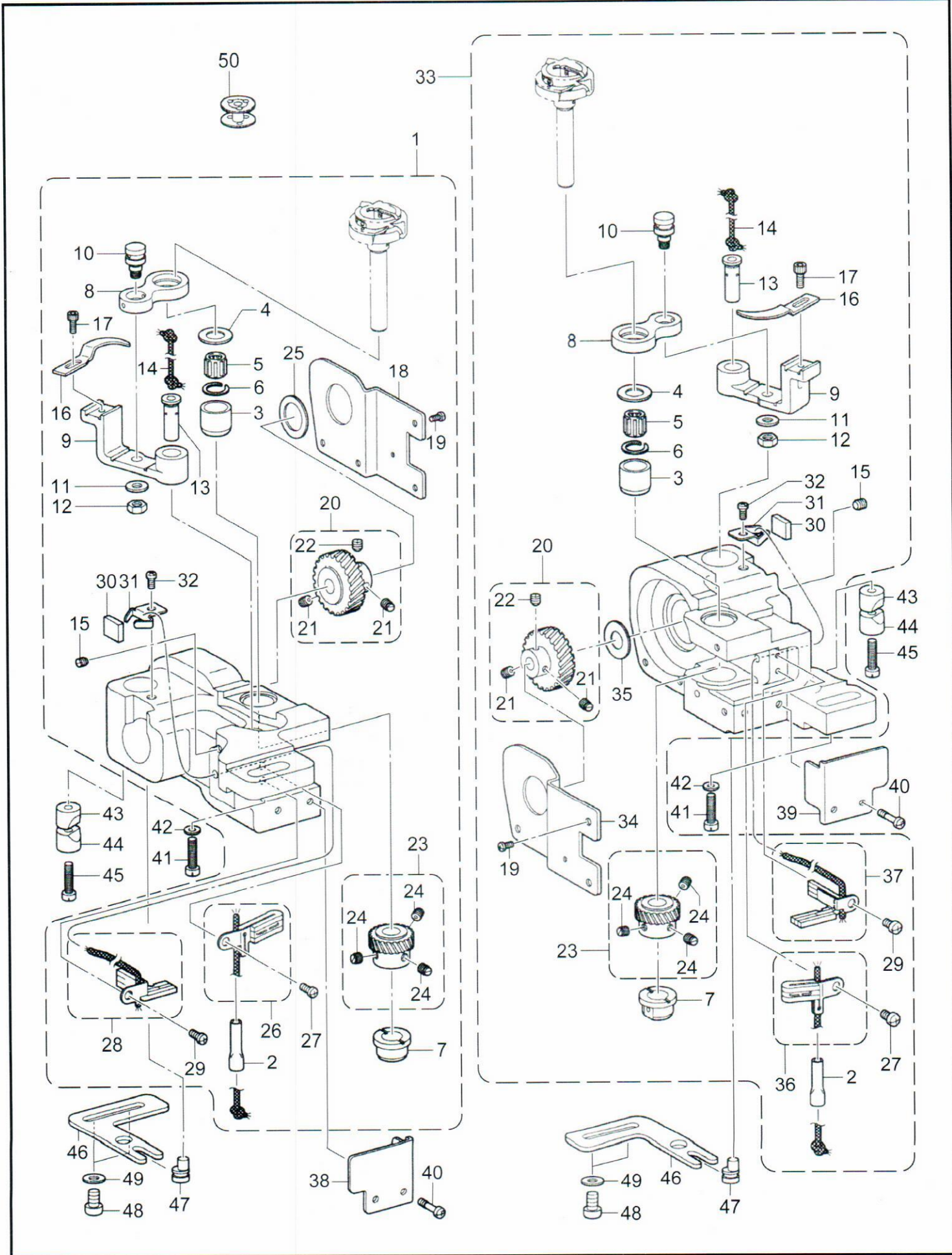
J1. 旋梭装置 / Rotary hook mechanism



J1. 旋梭装置 / Rotary hook mechanism

序号	图号	件号	零部件名称	NAME OF PARTS	数量
1	32J1-1	SA4420101	旋梭基座组件 845ST(L)	ROTARY HOOK BASE ASSY, 845ST (L)	1
2	31G1-2	SA3961001	管	PIPE	1
3	31G1-3	SA4029001	旋梭轴套 U	ROTARY HOOK SHAFT BUSH	1
4	31G1-4	S09260001	轴向垫圈 A <t=1.2>	THRUST RING, A:<t=1.2>	1
4	31G1-4	SA4038001	轴向垫圈 <t=1.0>	THRUST RING <t=1.0>	1
4	31G1-4	S07420000	轴向垫圈 B <t=1.4>	THRUST RING B:<t=1.4>	1
4	31G1-4	SA4444001	轴向垫圈 <t=0.8>	THRUST RING <t=0.8>	1
5	31G1-5	S07420000	滚针轴承	NEEDLE BEARING	1
6	31G1-6	S07419001	止动圈	RETAINING RING	1
7	31G1-7	SA2557001	旋梭轴套 D	ROTARY HOOK SHAFT BUSH	1
8	31G1-8	SA3856001	分线钩连杆	OPENER LINK	1
9	31G1-9	SA3859001	分线钩杆	OPENER LEVER	1
10	31G1-10	SA2560001	分线钩连杆轴	SHAFT, O-LINK	1
11	31G1-11	025710132	平垫圈 4.76	WASHER PLAIN 4.76	1
12	C-9	021500316	六角螺母 M5	NUT M5	1
13	31G1-13	SA3889101	分线钩杆短袖	O-LEVER SHAFT	1
14	31G1-14	SA4026001	油线 4×4 L=100	WICK, 4×4 L=100	1
15	13D-18	012500536	螺钉 M5×5	SET SCREW SOCKET (FT) M5×5	1
16	31G1-16	S38212001	分线钩	OPENER	1
17	31G1-17	154965001	螺钉 9/64-40×8	BOLT, SOCKET 9/64-40×8	1
18	31G1-18	SA2562101	旋梭基座盖 L	ROTARY HOOK BASE COVER, L	1
19	31G1-19	062300612	螺钉 M3×5	SCREW PAN M3×5	4
20	31G1-20	SA4549001	螺旋齿轮 (带螺钉)	SPIRAL GEAR SCREW ASSY	1
21	31G1-21	SA2574001	螺钉 M6-0.75×5	SET SCREW, (FT) M6-0.75×5	2
22	31G1-22	SA2575001	螺钉 M6-0.75×5.7	SET SCREW, (FT) M6-0.75×5.7	1
23	31G1-23	SA2576001	人字齿轮组件	PINION GEAR SCREW ASSY	1
24	31G1-21	SA2574001	螺钉 M6-0.75×5	SET SCREW, (FT) M6-0.75×5	3
25	31G1-25	SA3054001	垫圈	THRUST WASHER	1
26	31G1-26	SA4042001	油毡组件 UL	FELT UL ASSY	1
27	31F-19	062400616	螺钉 M4×6	SCREW PAN M4×6	1
28	31G1-28	SA4044001	油毡组件 DL	FELT DL ASSY	1
29	31F-19	062400616	螺钉 M4×6	SCREW PAN M4×6	1
30	31G1-30	SA4012001	油毡	FELT	1
31	31G1-31	SA3894001	油毡架	FELT SUPPORT	1
32	31F-19	062400616	螺钉 M4×6	SCREW PAN M4×6	1
33	31G1-33	SA4421101	旋梭基座组件 845ST(R)	ROTARY HOOK BASE ASSY, 845ST (R)	1
2	31G1-2	SA3961001	管	PIPE	1
3	31G1-3	SA4029001	旋梭轴套 U	ROTARY HOOK SHAFT BUSH	1
4	31G1-4	S09260001	轴向垫圈 A <t=1.2>	THRUST RING, A:<t=1.2>	1
4	31G1-4	SA4038001	轴向垫圈 <t=1.0>	THRUST RING <t=1.0>	1
4	31G1-4	S07420000	轴向垫圈 B <t=1.4>	THRUST RING. B:<t=1.4>	1
4	31G1-4	SA4444001	轴向垫圈 <t=0.8>	THRUST RING <t=0.8>	1
5	31G1-5	S07420000	滚针轴承	NEEDLE BEARING	1
6	31G1-6	S07419001	止动圈	RETAINING RING	1
7	31G1-7	SA2557001	旋梭轴套 D	ROTARY HOOK SHAFT BUSH	1
8	31G1-8	SA3856001	分线钩连杆	OPENER LINK	1
9	31G1-9	SA3859001	分线钩杆	OPENER LEVER	1
10	31G1-10	SA2560001	分线钩连杆轴	SHAFT, O-LINK	1
11	31G1-11	025710132	平垫圈 4.76	WASHER PLAIN 4.76	1
12	C-9	021500316	六角螺母 M5	NUT M5	1
13	31G1-13	SA3889101	分线钩杆短袖	O-LEVER SHAFT	1
14	31G1-14	SA4026001	油线 4×4 L=100	WICK, 4×4 L=100	1
15	13D-18	012500536	螺钉 M5×5	SET SCREW SOCKET (FT) M5×5	1
16	31G1-16	S38212001	分线钩	OPENER	1
17	31G1-17	154965001	螺钉 9/64-40×8	BOLT, SOCKET 9/64-40×8	1
19	31G1-19	062300612	螺钉 M3×5	SCREW PAN M3×5	4
20	31G1-20	SA4549001	螺旋齿轮 (带螺钉)	SPIRAL GEAR SCREW ASSY	1
21	31G1-21	SA2574001	螺钉 M6-0.75×5	SET SCREW, (FT) M6-0.75×5	2
22	31G1-22	SA2575001	螺钉 M6-0.75×5.7	SET SCREW, (FT) M6-0.75×5.7	1
23	31G1-23	SA2576001	人字齿轮组件	PINION GEAR SCREW ASSY	1

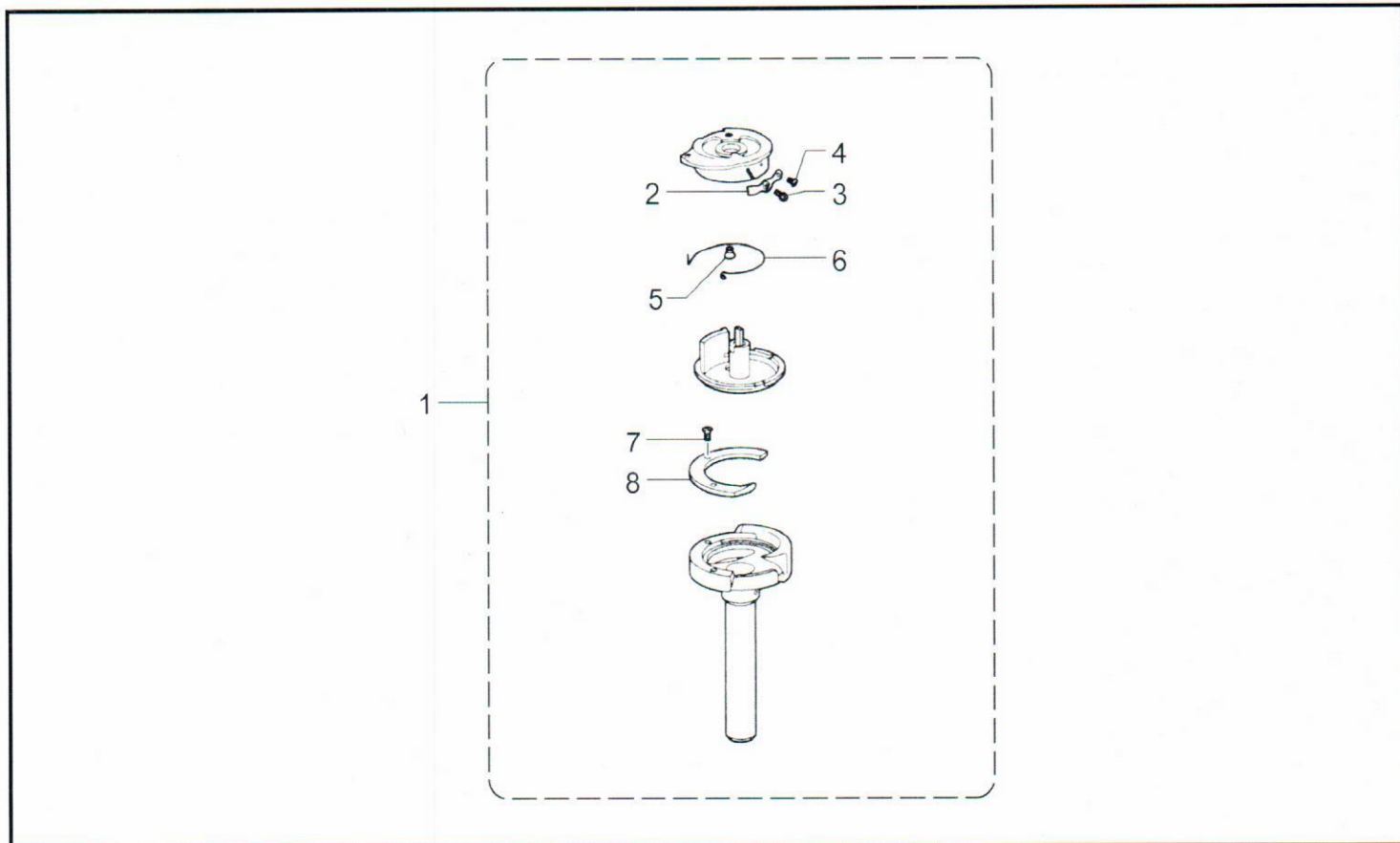
J1. 旋梭装置 / Rotary hook mechanism



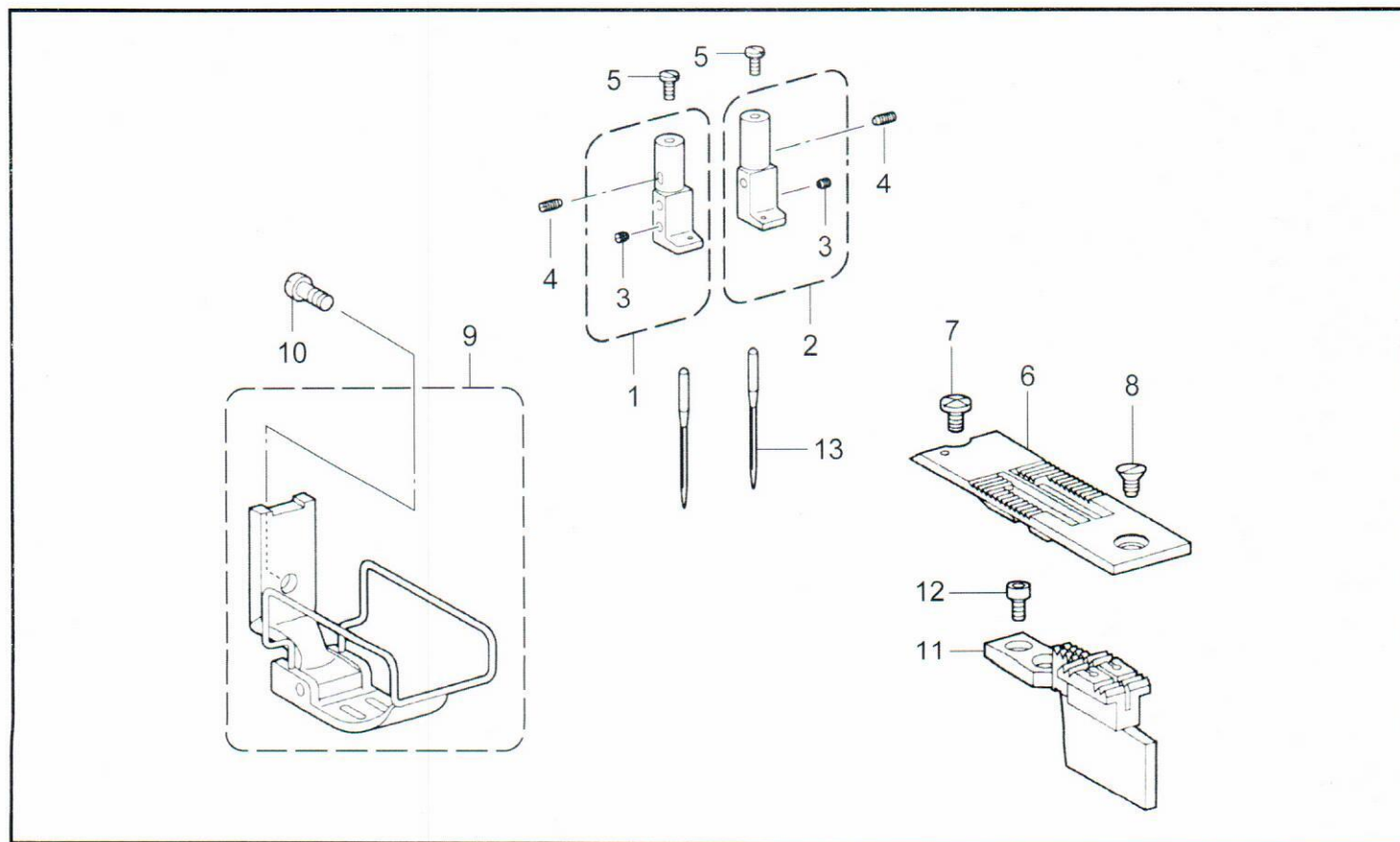
J1. 旋梭装置 / Rotary hook mechanism

序号	图号	件号	零部件名称	NAME OF PARTS	数量
24	31G1-21	SA2574001	螺钉 M6-0.75 × 5	SET SCREW, (FT) M6-0.75 × 5	3
27	31F-19	062400616	螺钉 M4 × 6	SCREW PAN M4 × 6	1
29	31F-19	062400616	螺钉 M4 × 6	SCREW PAN M4 × 6	1
30	31G1-30	SA4012001	油毡	FELT	1
31	31G1-31	SA3894001	油毡架	FELT SUPPORT	1
32	31F-19	062400616	螺钉 M4 × 6	SCREW PAN M4 × 6	1
34	31G1-34	SA2563101	旋梭基座盖 R	ROTARY HOOK BASE COVER, R	1
35	31G1-35	SA2579001	垫圈	SPACER	1
36	31G1-36	SA4043001	油毡组件 UR	FELT UR ASSY	1
37	31G1-37	SA4045001	油毡组件 DR	FELT DR ASSY	1
38	31G1-38	SA3988001	旋梭基座盖 FL	ROTARY HOOK BASE COVER, FL	1
39	31G1-39	SA3916001	旋梭基座盖 FR	ROTARY HOOK BASE COVER, FR	1
40	31G1-40	SA2825001	螺钉 M3 × 12	SCREW, M3 × 12	4
41	31G1-41	SA2556001	螺钉 M6 × 25	SCREW, M6 × 25	2
42	31G1-42	115947001	垫圈 6.35	WASHER, PLAIN 6.35	2
43	31G1-43	SA2722001	套管 A	PINCH SLEEVE A	2
44	31G1-44	SA2565001	套管 B	PINCH SLEEVE B	2
45	31G1-41	SA2556001	螺钉 M6 × 25	SCREW, M6 × 25	2
46	31G1-46	SA2567001	调节板	NEEDLE UPPER ADJUSTING PLATE	2
47	31G1-47	SA2568001	调节轴	NEEDLE UPPER POSITIONING SHAFT	2
48	31G1-48	062061016	螺钉 M6 × 10	SCREW PAN M6 × 10	4
49	31G1-49	025060136	平垫圈 6	WASHER PLAIN 6	4
50	31G1-50	S01928151	梭芯	BOBBIN	2

J2. 旋梭装置 / Rotary hook mechanism



H. 定规装置 / Gauge parts



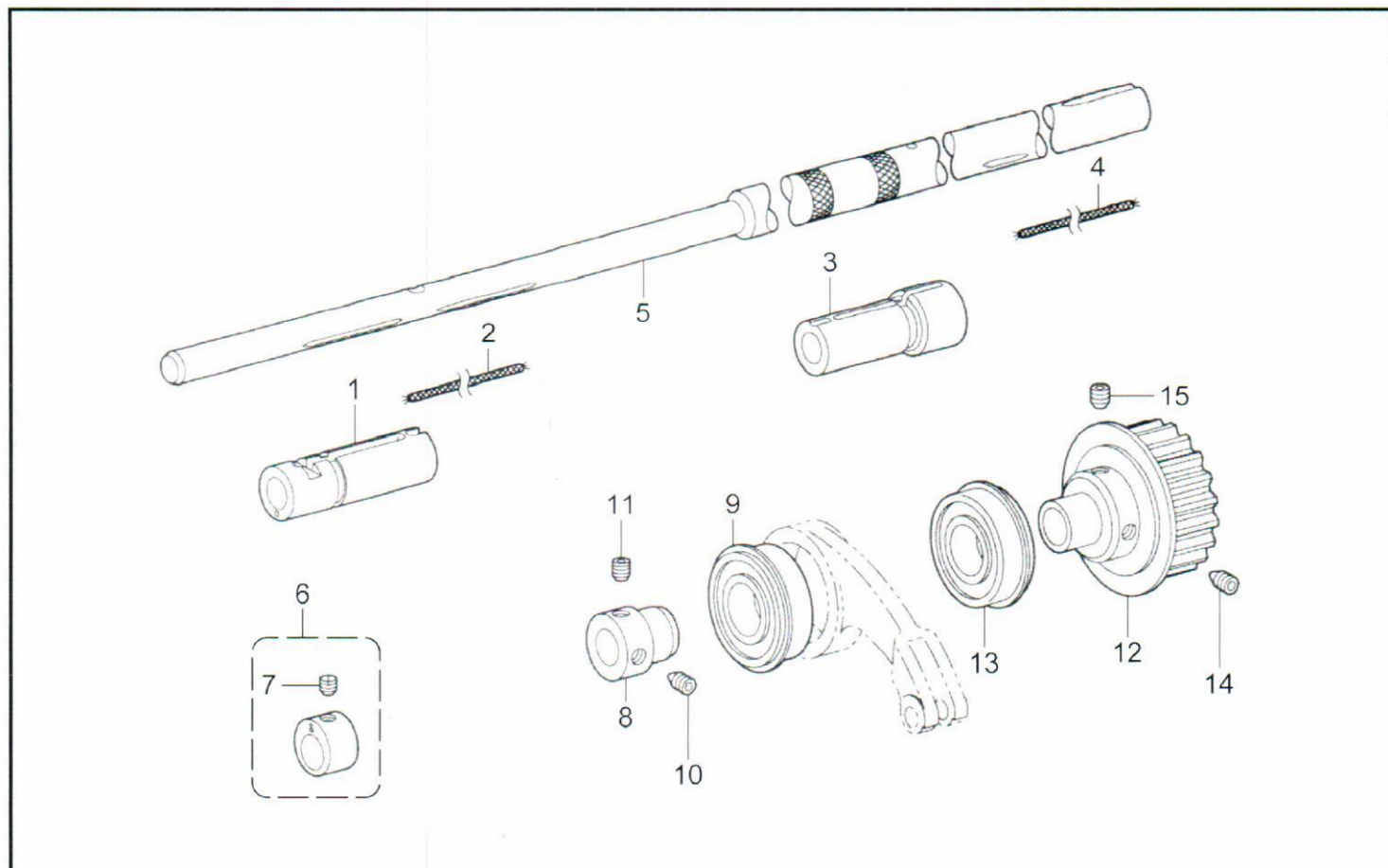
J2. 旋梭装置 / Rotary hook mechanism

序号	图号	件号	零部件名称	NAME OF PARTS	数量
1	32J2-1	*	旋梭盒组件	ROTARY HOOK BOX ASSY	1
2	32J2-2	151025001	调整弹簧	TENSION SPRING	1
3	32J2-3	S01567001	螺钉	TENSION ADJUSTING SCREW	1
4	32J2-4	S01568001	螺钉	SET SCREW	1
5	32J2-5	151035001	螺钉	SET SCREW	1
6	32J2-6	151034001	弹簧	TENSION SPRING	1
7	32J2-7	151027001	螺钉	SET SCREW	2
8	32J2-8	S07746001	内梭夹	INNER ROTARY HOOK HOLDER	1
<p>带 * 记号的请参考不同规格零部件一览表 (P. 38)。 As for smbol * look it up in the different parts list on page 38.</p>					

H. 定规装置 / Gauge parts

序号	图号	件号	零部件名称	NAME OF PARTS	数量
1	32H-1	*	针夹组件 L	NEEDLE CLAMP ASSY, L	1
2	32H-2	*	针夹组件 R	NEEDLE CLAMP ASSY, R	1
3	32H-3	013660412	固定螺钉 1/8-40 × 4	SET SCREW, 1/8-40 × 4	2
4	32H-4	S13085001	螺钉 1/8-40 × 5.8	SET SCREW, 1/8-40 × 5.8	2
5	32H-5	149831101	螺钉 1/8-40 × 5.7	SET SCREW, 1/8-40 × 5.7	2
6	32H-6	*	针板	NEEDLE PLATE	1
7	12P-44	S11244001	螺钉 11/64-40 × 6.8	SCREW, 11/64-40 × 6.8	1
8	10C-13	100032004	平头螺钉 11/64-40 × 8.5	SCREW, FLAT 11/64-40 × 8.5	1
9	32H-9	*	压脚组件	PRESSER FOOT ASSY	1
10	31H-7	113050001	螺钉 9/64-40	SCREW, 9/64-40	1
11	32H-11	*	送布牙	FEED DOG	1
12	31H-9	S07494001	螺钉 1/8-44 × 7	SCREW, W/SOCKET 1/8-44 × 7	2
13	32H-13		机针	NEEDLE	2
<p>带 * 记号的请参考不同规格零部件一览表 (P. 39~43)。 As for smbol * look it up in the different parts list on page 39~43.</p>					

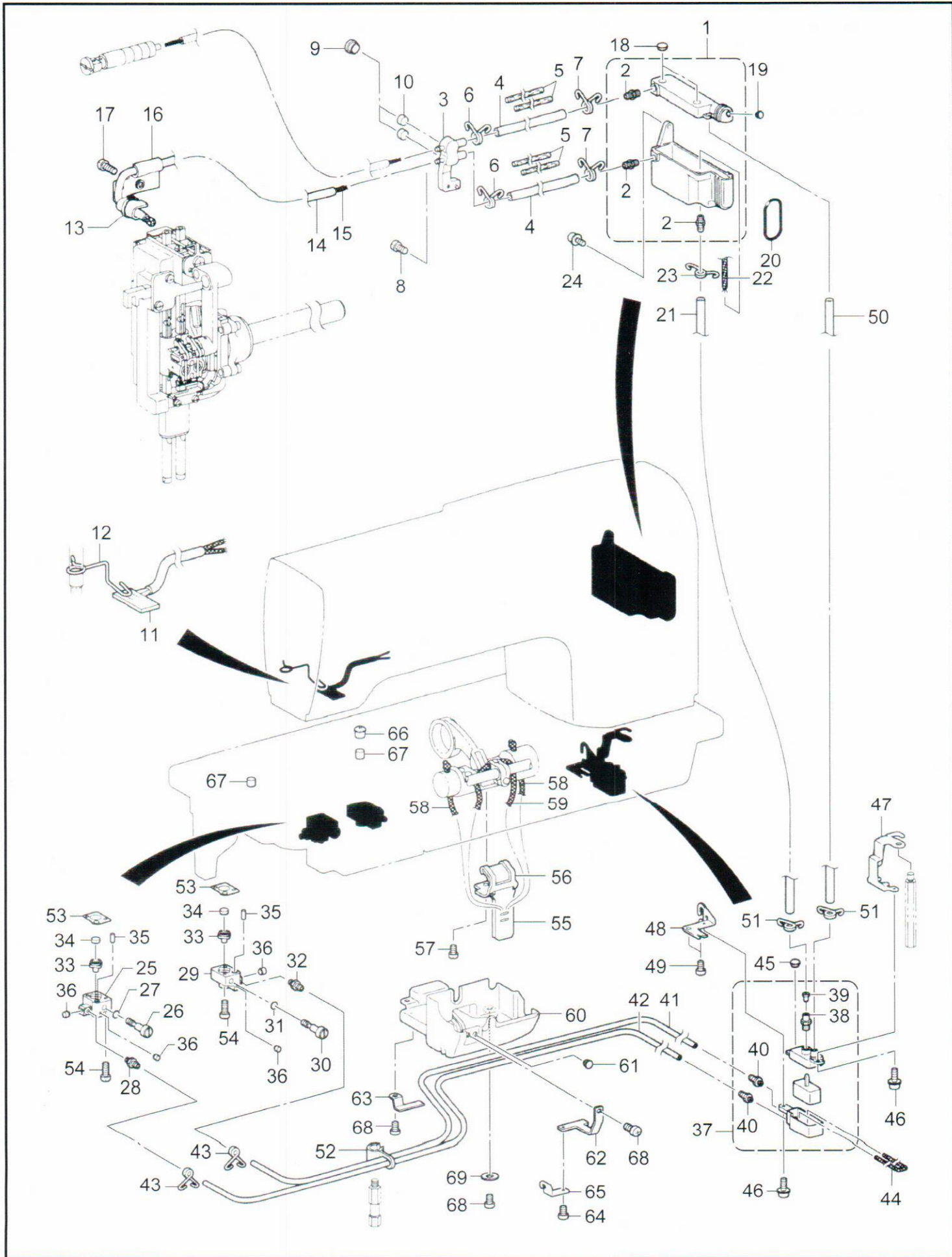
K. 下轴装置 / Lower shaft mechanism



K. 下轴装置 / Lower shaft mechanism

序号	图号	件号	零部件名称	NAME OF PARTS	数量
1	31J-1	SA3890001	旋梭基座轴套 L	ROTARY HOOK BASE BUSH, L	1
2	32K-2	SA4585001	油毡	FELT	1
3	31J-3	SA3891001	旋梭基座轴套 R	ROTARY HOOK BASE BUSH, R	1
4	32K-2	SA4585001	油毡	FELT	1
5	31J-5	SA2571001	下轴	LOWER SHAFT	1
6	31J-6	SA2759001	抬压凸轮组件	F-LIFTING ECCENTRIC WHEEL ASSY	1
7	31G1-22	SA2575001	螺钉 M6-0.75 × 5.7	SET SCREW, (FT) M6-0.75 × 5.7	1
8	31J-8	SA2584001	轴承套	BALL BEARING BUSH	1
9	31B-4	072600480	球轴承 6004ZZNR	BALL BEARING, THRUST 6004ZZ	1
10	31E-12	SA2585001	固定螺钉 M6-0.75 × 10	SET SCREW, SOCKET (FT) M6-0.75 × 10	1
11	31B-12	S25236001	螺钉 M6-0.75 × 10	SET SCREW, SOCKET (FT) M6-0.75 × 10	1
12	31J-12	SA2587101	同步轮D组件	TIMING PULLEY ASSY, D	1
13	13B-24	158115001	球轴承 6204ZZNR	BALL BEARING, 6204ZZNR	1
14	31E-12	SA2585001	固定螺钉 M6-0.75 × 10	SET SCREW, SOCKET (FT) M6-0.75 × 10	1
15	31B-12	SA4213001	固定螺钉 M6-0.75 × 10	SET SCREW, SOCKET (CP) M6-0.75 × 10	1

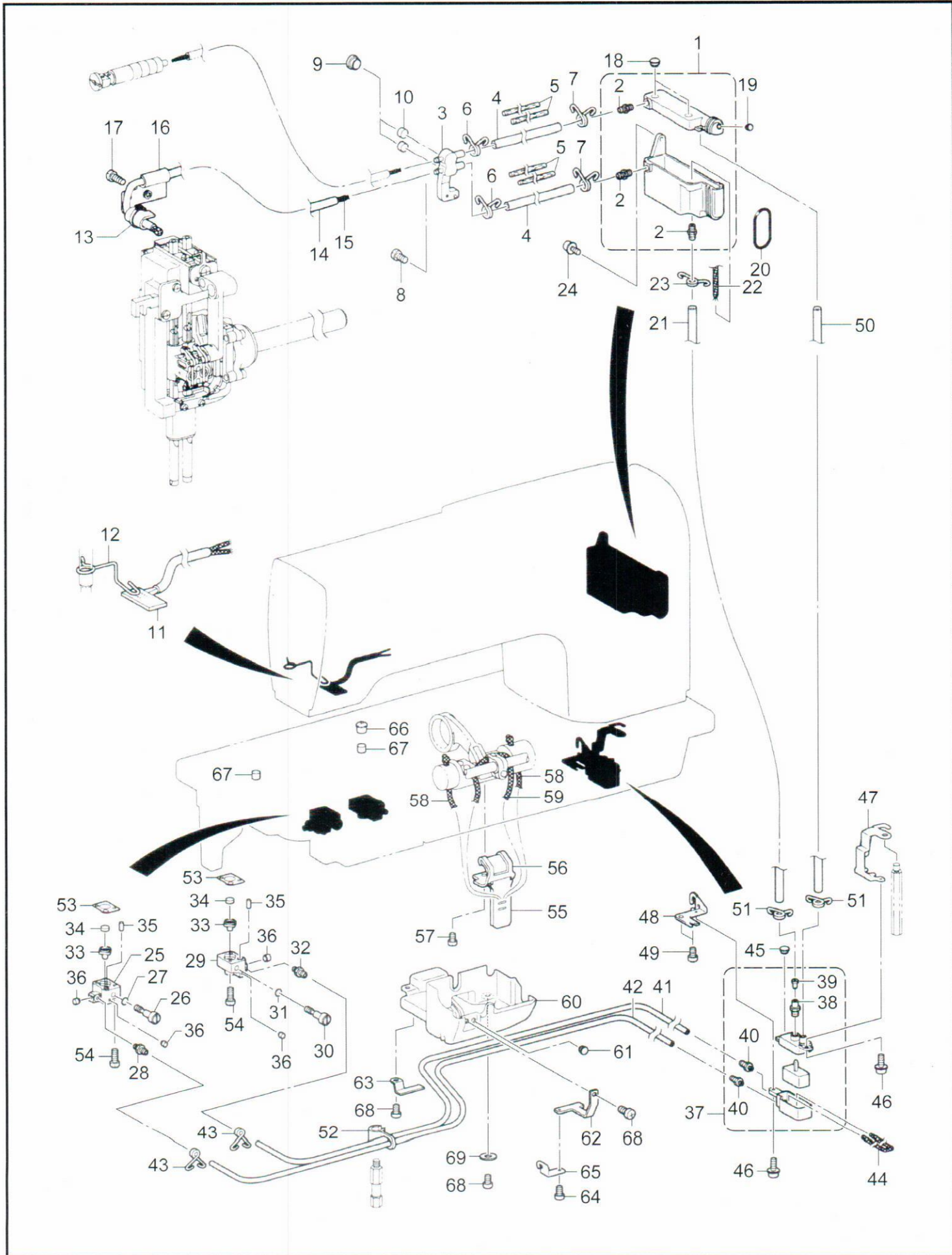
L. 供油润滑装置 / Lubrication



L. 供油润滑装置 / Lubrication

序号	图号	件号	零部件名称	NAME OF PARTS	数量
1	32L-1	SA2814201	油罐组件	OIL TANK ASSY	1
2	31L-2	SA3040001	油嘴管 8.6	OIL FEEDING PIPE, 8.6	3
3	31L-4	SA3946001	油管接头	OIL TERMINAL	1
4	31L-5	SA2956001	维尼龙油管 L=135	OIL TUBE, L=135	2
5	31L-6	SA2957001	油毡	FELT	4
6	31L-48	SA3055101	油管夹	TUBE CLIP	2
7	31L-48	SA3055101	油管夹	TUBE CLIP	2
8	31A-5	062500816	螺钉 M5 × 8	SCREW PAN M5 × 8	1
9	31A-4	SA2929001	橡皮塞 12.5	RUBBER CAP, 12.5	2
10	31L-9	S38266000	油毡	ROTARY HOOK SHAFT FELT	2
11	32L-11	SA5224001	油毡组件	FELT ASSY	1
12	31L-11	SA4033101	油毡压架	FELT SUPPORT	1
13	31L-12	228475000	电线夹 1.9 × 80	FASTENING BAND, 1.9 × 80	1
14	32L-14	S49623000	维尼龙油管 L=280	OIL TUBE, L=280	1
15	32L-15	S48190000	油线 4 × 4 L=380	WICK, 4 × 4 L=380	1
16	32L-16	SA5154001	油管支架	OIL SUPPORT	1
17	31E-3	062501016	螺钉 M5 × 10	SCREW PAN M5 × 10	1
18	31A-4	SA2929001	橡皮塞 12.5	RUBBER CAP, 12.5	2
19	31L-17	104450101	橡皮塞 8	RUBBER CAP, 8	1
20	31L-18	081038070	O形圈 38	O RING 38	1
21	31L-19	SA2723001	维尼龙油管 L=210	OIL TUBE, L=210	1
22	31F-35	SA2724001	油线 L=400	WICK, L=400	1
23	31L-48	SA3055101	油管夹	TUBE CLIP	1
24	31L-21	0A5501006	螺栓 (带垫圈) M5 × 10DB	SCREW PAN (S/P WASHER) M5 × 10	2
25	31L-22	SA3896001	集油器 L	OIL BLOCK, L	1
26	31L-23	SA2599001	油量调整螺栓	OIL ADJUSTING SCREW	1
27	31L-24	081004070	O形圈 4	O RING 4	1
28	31L-25	SA3147001	油嘴管 2.5	OIL FEEDING PIPE 2.5	1
29	31L-26	SA3898001	集油器 R	OIL BLOCK, R	1
30	31L-23	SA2599001	油量调整螺栓	OIL ADJUSTING SCREW	1
31	31L-24	081004070	O形圈 4	O RING 4	1
32	31L-25	SA3147001	油嘴管 2.5	OIL FEEDING PIPE 2.5	1
33	31L-30	SA3061001	橡皮垫片	RUBBER PACKING	2
34	31L-31	SA2727101	旋梭轴垫片	ROTARY HOOK SHAFT FELT	2
35	31L-32	S05246000	油毡	FELT	2
36	31L-34	142274101	橡皮塞 4.2	RUBBER CAP, 4.2	4
37	31L-35	SA3037001	副油罐组件	SUB -TANK ASSY	1
38	31L-2	SA3040001	油嘴管	OIL FEEDING PIPE	1
39	31L-37	SA3060001	油门垫片	VALVE PACKING	1
40	31L-25	SA3147001	油嘴管 2.5	OIL FEEDING PIPE 2.5	2
41	31L-39	SA2596001	油管 L=400	OIL TUBE, L=400	1
42	31L-40	SA2597001	油管 L=500	OIL TUBE, L=500	1
43	32L-25-1	S07876101	油管夹	TUBE CLIP	2
44	32L-44	SA2598101	油线 L=1250	WICK, L=1250	1
45	31L-17	104450101	橡皮塞 8	RUBBER CAP, 8	1
46	31L-43	0A4400806	螺栓 (带垫圈) M4 × 8DA	SCREW PAN (S/P WASHER) M4 × 8	2
47	31L-44	SA3045101	副油罐安装架 A	SUB -TANK SETTING PLATE, A	1
48	31L-45	SA3046001	副油罐安装架 B	SUB -TANK SETTING PLATE, B	1
49	31E-7	062060816	螺钉 M6 × 8	SCREW PAN M6 × 8	2
50	31L-47	SA3044001	维尼龙油管 L=242	OIL TUBE, L=242	1
51	31L-48	SA3055101	油管夹	TUBE CLIP	2
52	31L-49	SA3047001	油管固定夹	TUBE SUPPORT	1
53	31L-50	SA3923001	旋梭台D垫片	ROTARY HOOK BASE D PACKING	2
54	31L-51	062401616	螺钉 M4 × 16	SCREW PAN M4 × 16	4
55	31L-52	SA2604001	油毡	FEED REGULATOR FELT	1
56	31L-53	SA2605001	油毡压架	FELT SUPPORT	1
57	31A-9	062500616	螺钉 M5 × 6	SCREW PAN M5 × 6	1
58	31F-5	108802001	油线 4 × 4 L=250	WICK, 4 × 4 L=250	2
59	31L-56	108801001	油线 4 × 4 L=350	WICK, 4 × 4 L=350	1
60	31L-57	SA2606101	油盖	OIL COVER	1
61	31L-17	104450101	橡皮塞 8	RUBBER CAP, 8	1

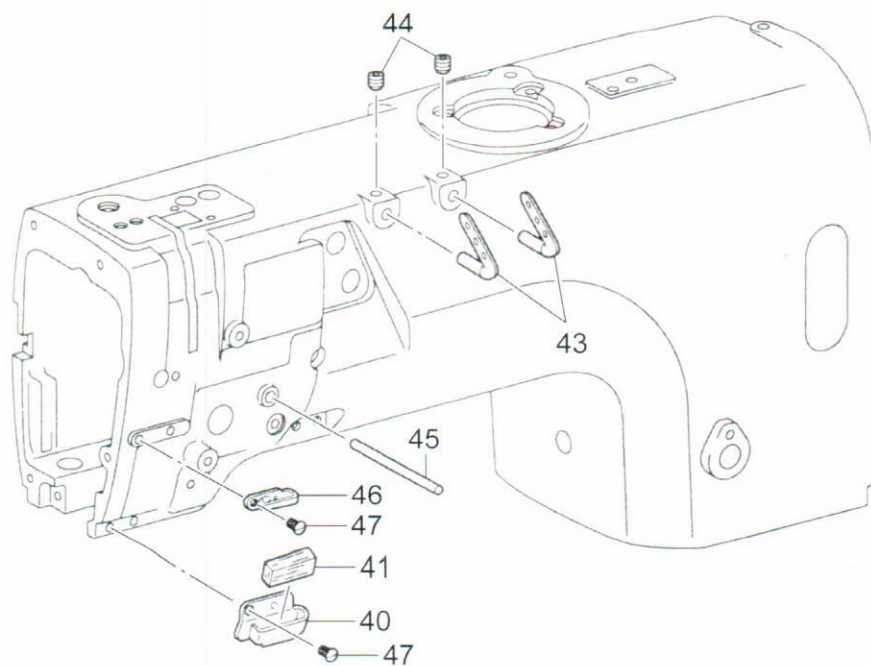
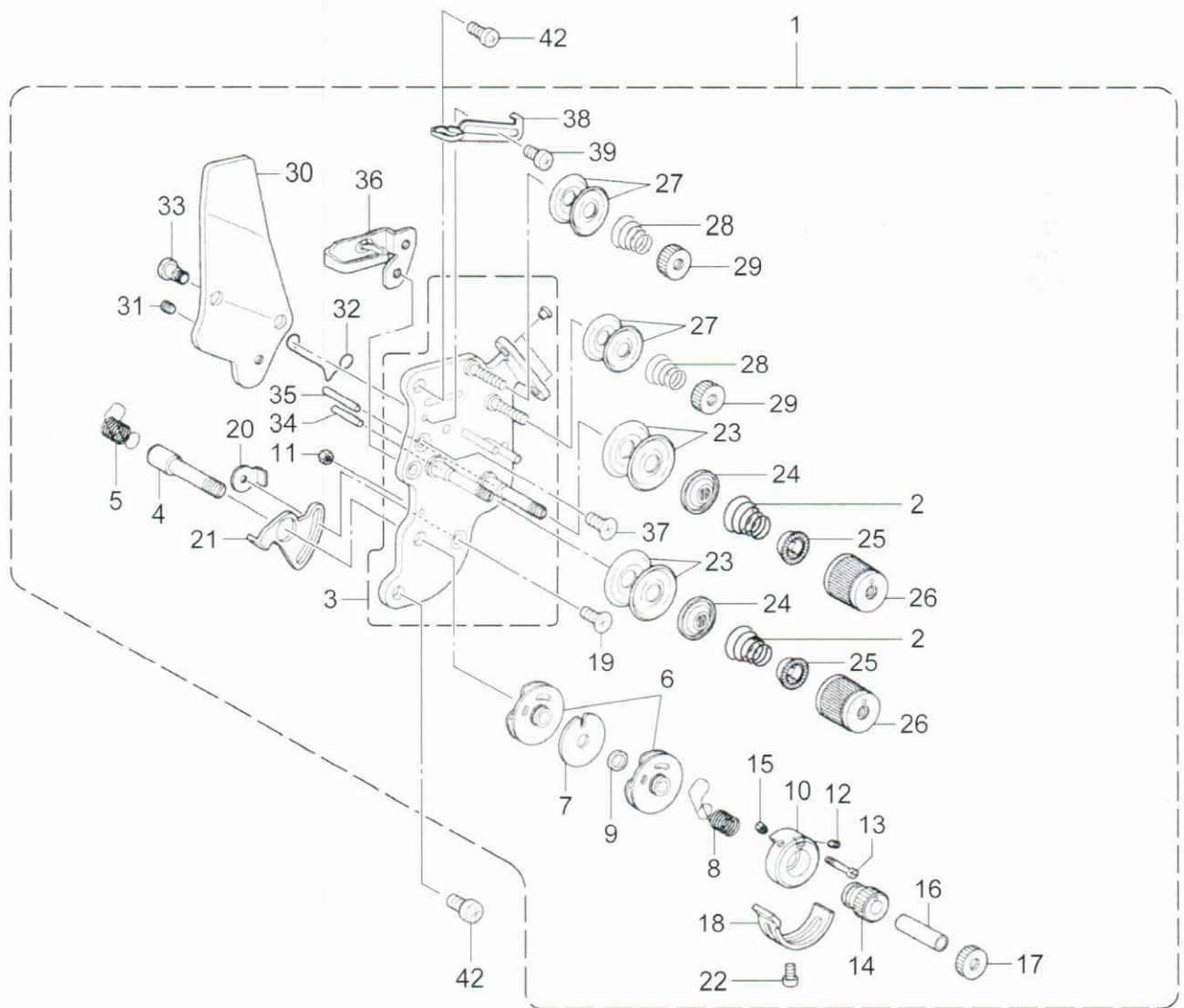
L. 供油润滑装置 / Lubrication



L. 供油润滑装置 / Lubrication

序号	图号	件号	零部件名称	NAME OF PARTS	数量
62	31L-59	SA3048101	油管压架 A	TUBE SUPPORT, A	1
63	31L-60	SA3049001	油管压架 B	TUBE SUPPORT, B	1
64	31F-19	062400616	螺钉 M4 × 6	SCREW PAN M4 × 6	1
65	31L-62	SA4014001	油管导向	TUBE GUIDE	1
66	31L-63	140890009	油盖	OIL CAP	1
67	31L-64	112753001	油毡	FELT	2
68	31G1-48	062061016	螺钉 M6 × 10	SCREW PAN M6 × 10	3
69	31L-66	025060236	平垫圈 6	WASHER PLAIN 6	1

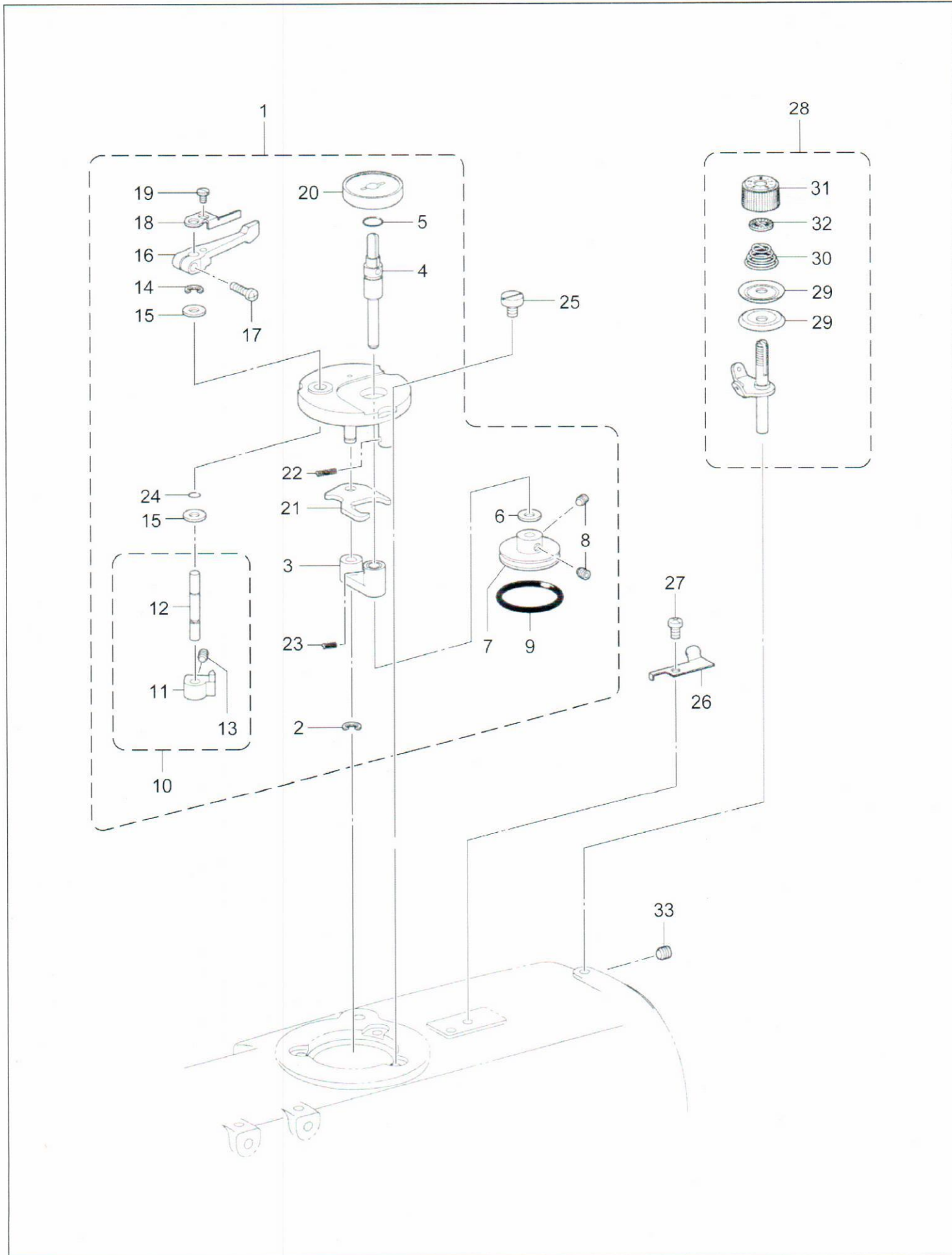
M. 穿线装置 / Threading mechanism



M. 穿线装置 / Threading mechanism

序号	图号	件号	零部件名称	NAME OF PARTS	数量
1	31M-1	SA3417001	<用于-□□3> 面线调节组件 -3	<For "-□□3"> UPPER THREAD TENSION ASSY, -3	1
2	31M-2	SA3415001	弹簧 L	TENSION SPRING, L	2
1	31M-1	SA2607001	<用于-□□5> 面线调节组件 -5	<For "-□□5"> UPPER THREAD TENSION ASSY,-5	1
2	31M-2	SA3416001	弹簧 LL	TENSION SPRING, LL	2
3	31M-3	SA4212001	调整台组件	TENSION PLATE ASSY	1
4	31M-4	SA2613001	调整短轴	TENSION STUD	1
5	31M-5	SA2614001	弹簧 L	THREAD TAKE-UP SPRING, L	1
6	31M-6	SA2615001	导向组件	GUIDE ASSY, T/TAKE-UP SPRING	2
7	31M-7	SA2619001	垫块	SPACER	1
8	31M-8	SA2623001	弹簧 R	THREAD TAKE-UP SPRING, R	1
9	31M-9	SA2620001	轴套	COLLAR	1
10	31M-10	SA2621001	定位圈	STOPPER SUPPORT	1
11	31M-11	021300106	螺母 M3	NUT, M3	1
12	31M-12	SA2626001	螺钉 M3.5 × 6	SET SCREW, (CP) M3.5 × 6	1
13	31M-13	SA2624001	固定螺栓	SPRING GUIDE SET SCREW	1
14	31M-14	SA2625001	调节旋钮	ADJUSTING THUMB	1
15	31M-15	SA2626001	螺钉 M3.5 × 6	SET SCREW, (CP) M3.5 × 6	1
16	31M-16	SA2627001	轴套	COLLAR	1
17	31M-17	SA2628001	夹线螺母	TENSION NUT	1
18	31M-18	SA2629001	弹簧限位板	STOPPER	1
19	31M-19	061350616	螺钉 M3.5 × 6	SCREW, FLAT M3.5 × 6	1
20	31M-20	SA2824001	定位板	WHIRL-STOP	1
21	31M-21	SA2630001	限位板	STOPPER	1
22	31M-22	062350512	螺钉 M3.5 × 5	SCREW, PAN M3.5 × 5	1
23	31N-29	145446001	夹线盘	DISC, TENSION	4
24	31M-24	159805001	夹线压盘	TENSION DISC PRESSER	2
25	31M-25	S20681000	调节弹簧垫圈	WASHER	2
26	31M-26	S20682105	调节旋钮	ADJUSTING THUMB	2
27	31M-27	144504001	小夹线垫片	THREAD GUIDE DISC	4
28	31M-28	154560001	小夹线弹簧	PRE-TENSION SPRING	2
29	31M-29	155510001	夹线螺母	TENSION NUT	2
30	31M-30	SA2632001	松线板	TENSION RELEASE PLATE	1
31	13D-18	012500536	螺钉 M5 × 5	SET SCREW, SOCKET (FT) M5 × 5	1
32	31M-32	S38274001	松线弹簧	T-RELEASE SPRING	1
33	31M-33	SA2633001	松线板螺钉	T-RELEASE SCREW	2
34	31M-34	SA4506001	松线销 L	TENSION RELEASE PIN, L	1
35	31M-35	SA4507001	松线销 R	TENSION RELEASE PIN, R	1
36	31M-36	SA2634001	线导向 U	THREAD GUIDE, U:ARM	1
37	31M-19	061350616	螺钉 M3.5 × 6	SCREW, FLAT M3.5 × 6	2
38	31M-38	SA2635001	线调整	THREAD QUANTITY ADJUST	1
39	31M-39	062300616	螺钉 M3 × 6	SCREW, PAN M3 × 6	1
40	31M-40	SA2639001	线导向 D	THREAD GUIDE, D:ARM	1
41	31M-41	114941001	过线钩油毡	FELT	1
42	31A-5	062500816	螺钉 M5 × 8	SCREW, PAN M5 × 8	2
43	31M-43	SA2636001	三眼线勾	THREAD RETAINER	2
44	A-58	012060636	螺钉 M6 × 6	SET SCREW, SOCKET (FT) M6 × 6	2
45	31M-45	SA2637001	松线轴	BAR, TENSION RELEASE	1
46	31M-46	SA2638001	线导向 M	THREAD GUIDE, M:ARM	1
47	31M-47	SA2640001	螺钉 M5 × 8	SCREW, FLAT M5 × 8	2

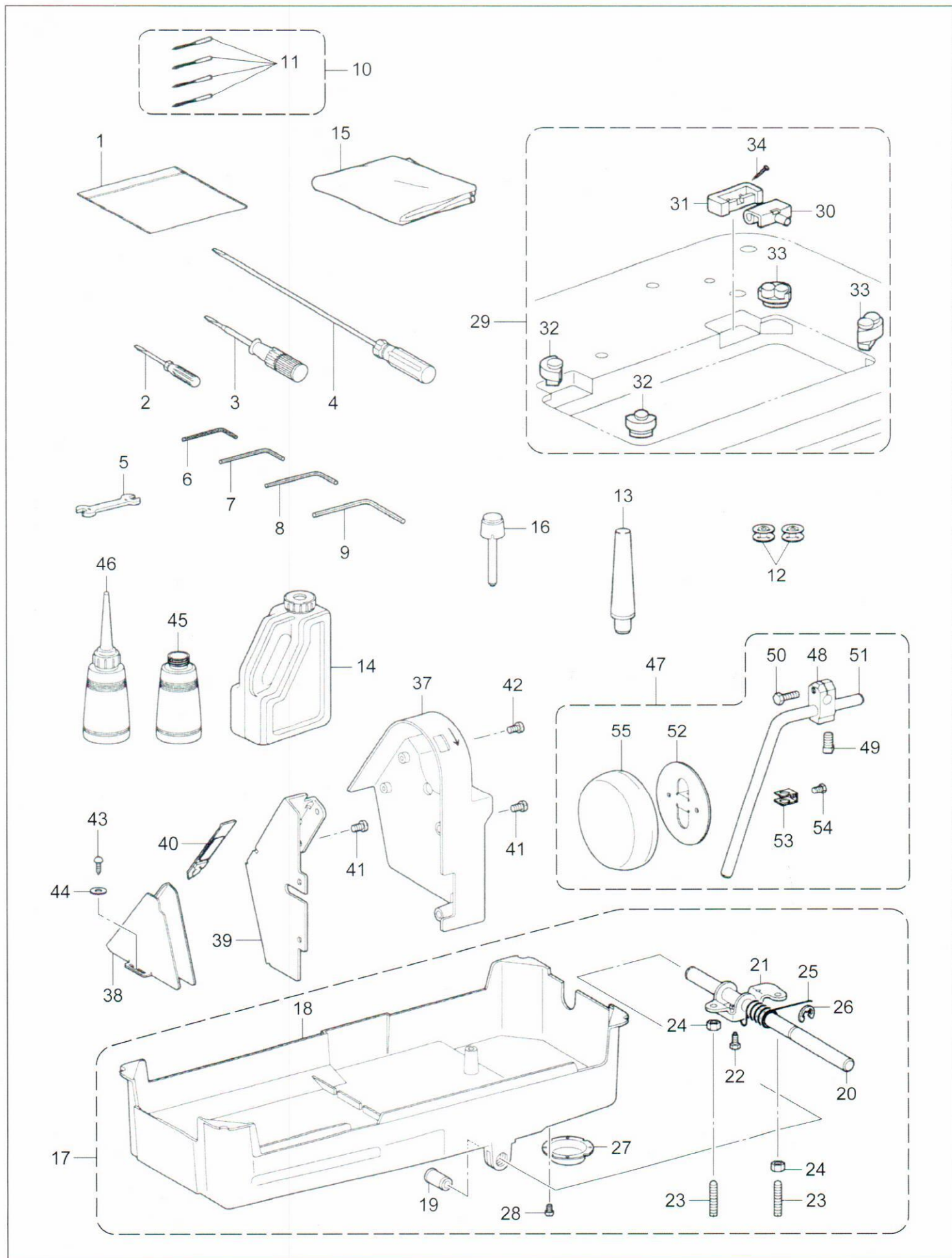
N. 卷线装置 / Bobbin winder mechanism



N. 卷线装置 / Bobbin winder mechanism

序号	图号	件号	零部件名称	NAME OF PARTS	数量
1	31N-1	SA1971101	卷线器组合件	BOBBIN WINDER UNIT	1
2	31N-2	048040342	挡圈 4	RETAINING RING, 4	1
3	31N-3	SA1975001	卷线轴基座组件	B-WINDER SHAFT SUPPORT ASSY	1
4	31N-4	SA1978001	卷线轴	BOBBIN WINDER SHAFT	1
5	31N-5	081009070	O型圈 9	O RING, 9	1
6	31G1-49	025060136	平垫圈 6	WASHER, PLAIN 6	1
7	31N-7	SA1980001	卷线轮	BOBBIN WINDER WHEEL	1
8	13D-18	012500536	螺钉 M5 × 5	SET SCREW, SOCKET (FT) M5 × 5	2
9	31N-9	S25789000	橡皮垫圈 29	RUBBER RING, 29	1
10	31N-10	SA1981101	梭芯夹凸轮组件	BOBBIN PRESSER CAM ASSY	1
11	31N-11	SA1982101	梭芯夹凸轮	BOBBIN PRESSER CAM	1
12	31N-12	SA1983001	梭芯夹轴	BOBBIN WINDER ARM SHAFT	1
13	13D-18	012500536	螺钉 M5 × 5	SET SCREW, SOCKET (FT) M5 × 5	1
14	31N-2	048040342	挡圈 4	RETAINING RING, 4	1
15	31G1-49	025060136	平垫圈 6	WASHER, PLAIN 6	2
16	31N-16	SA1984001	梭芯压臂柄	BOBBIN PRESSER ARM	1
17	31N-17	062401216	螺钉 M4 × 12	SCREW PAN M4 × 12	1
18	31N-18	SA1985001	梭芯夹	BOBBIN PRESSER	1
19	31N-19	S23418002	螺钉 M4 × 5	SCREW M4 × 5	1
20	31N-20	SA1988001	梭芯座	BOBBIN SUPPORT	1
21	31N-21	SA1989001	卷线杠杆	BOBBIN WINDER LEVER	1
22	31N-22	SA1990101	弹簧	SPRING	1
23	31N-23	SA1991001	弹簧	BOBBIN WINDER BASE SPRING	1
24	31N-24	SA2190001	O型密封圈 5	O RING, 5	1
25	31N-25	SA1992101	螺钉	BOBBIN WINDER FIXED SCREW	3
26	31N-26	SA1360001	切刀	KNIFE	1
27	31A-9	062500616	螺钉 M5 × 6	SCREW, PAN M5 × 6	1
28	31N-28	SA1994001	卷线器夹线组件	BOBBIN WINDER TENSION ASSY	1
29	31N-29	145446001	夹线盘	DISC, TENSION	2
30	31N-30	100401021	夹线弹簧	TENSION SPRING	1
31	12M-15	S31032001	压线螺母	TENSION NUT	1
32	31N-32	S12441001	止动垫圈	WASHER	1
33	13D-18	012500536	螺钉 M5 × 5	SET SCREW, SOCKET (FT) M5 × 5	1

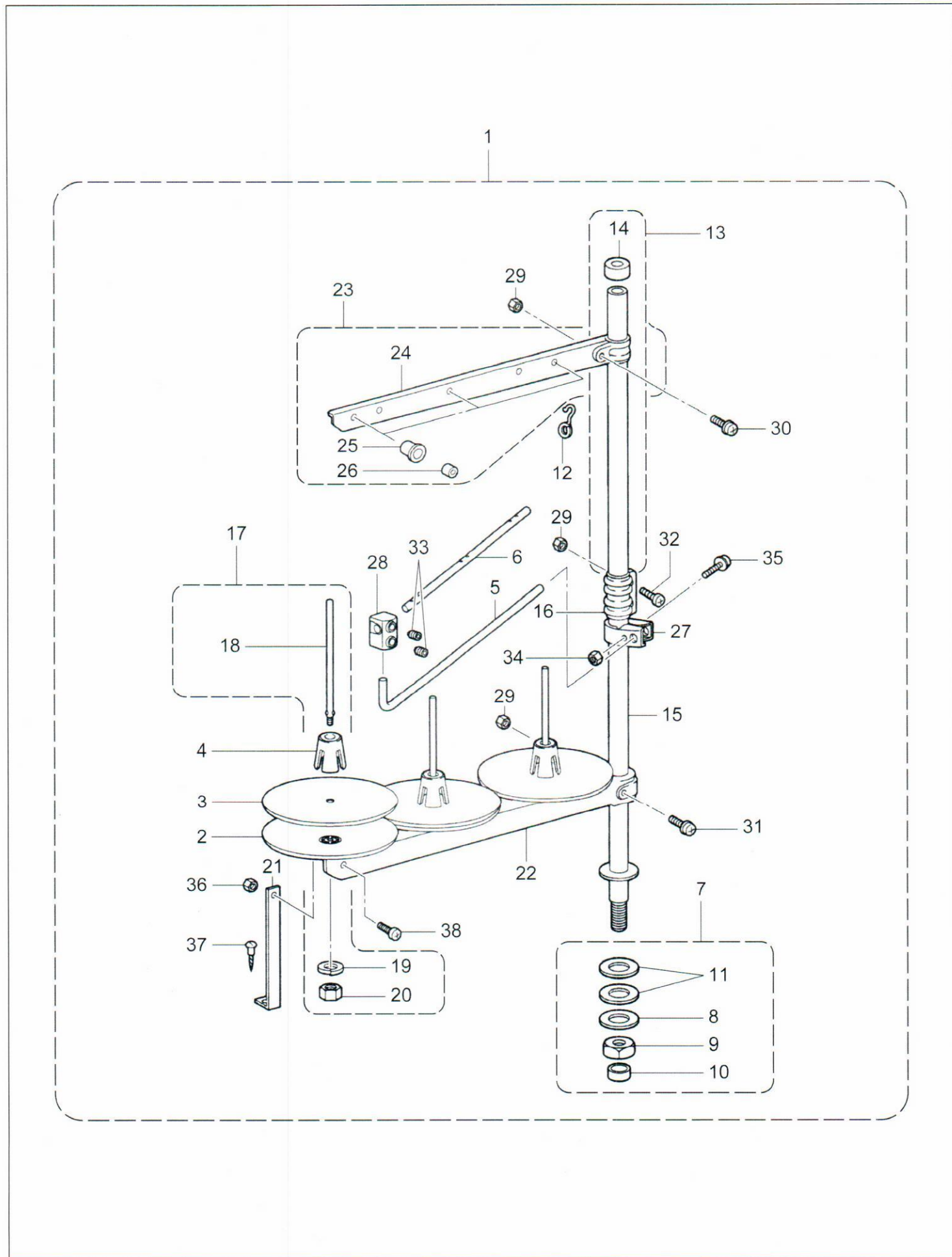
Z1. 附件 / Accessories



Z1. 附件 / Accessories

序号	图号	件号	零部件名称	NAME OF PARTS	数量
1	31Z1-1	122991001	附属品塑料袋	ACCESSORY BAG	1
2	31Z1-2	142443001	小起子 1.9 × 52	SCREW-DRIVER, 1.9 × 52	1
3	31Z1-3	118837001	起子 3.4 × 70	SCREW-DRIVER, 3.4 × 70	1
4	31Z1-4	S17774001	大起子 4.7 × 250	SCREW-DRIVER, 4.7 × 250	1
5	31Z1-5	100887001	双头扳手 8 × 9	WRENCH, 8 × 9	1
6	31Z1-6	142002001	内六角扳手 2	HEXAGONAL WRENCH, 2	1
7	31Z1-7	154125001	内六角扳手 2.5	HEXAGONAL WRENCH, 2.5	1
8	31Z1-8	142721001	内六角扳手 3	HEXAGONAL WRENCH, 3	1
9	31Z1-9	149570001	内六角扳手 5	HEXAGONAL WRENCH, 5	1
			<用于-□□3>	<For "-□□3">	
10	31Z1-10	SA1752014	机针组 107415	NEEDLE 4PIECE ASSY, 107415	1
11	31Z1-11	107415014	机针 DP × 5 (#14)	NEEDLE, DP × 5	4
			<用于-□□5>	<For "-□□5">	
10	31Z1-10	SA1752022	机针组 107415	NEEDLE 4PIECE ASSY, 107415	1
11	31Z1-11	107415022	机针 DP × 5 (#22)	NEEDLE, DP × 5	4
12	31Z1-12	S01928151	梭芯	BOBBIN	2
13	31Z1-13	100477009	机头撑杆	HEAD REST	1
14	31Z1-14	S55663001	油罐组件	OIL TANK ASSY	1
15	31Z1-15	144226001	机头罩	HEAD COVER	1
16	31Z1-16	145573000	膝控提升顶杆	KNEE LIFTER COMPLYING BAR	1
17	31Z1-17	SA2691101	油盘组件	OIL PAN ASSY	1
18	31Z1-18	SA2692101	油盘	OIL PAN	1
19	31Z1-19	149578000	轴套	BUSH	2
20	31Z1-20	SA2582001	膝控横轴	KNEE LIFTER SHAFT	1
21	31Z1-21	SA2590001	膝控杆	KNEE LIFTER	1
22	31Z1-22	S25344001	螺栓 M6	BOLT, M6	1
23	31Z1-23	S25475001	螺钉 M6 × 19	SET SCREW, M6 × 19	2
24	A-35	021060306	六角螺母 M6	NUT, M6	2
25	31Z1-25	S15889001	复位弹簧	TWIST SPRING	1
26	31Z1-26	146293001	挡圈 10	RETAINING RING, 10	1
27	31Z1-27	153230101	放油口	DRAIN	1
28	31N-19	S23418002	螺钉 M4 × 5	SCREW, M4 × 5	2
29	31Z1-29	SA1969001	橡胶铰链组件	RUBBER HINGE ASSY	1
30	31Z1-30	143882001	机头铰链	HEAD HINGE	2
31	31Z1-31	143910009	机头铰链套	RUBBER CUSHION	2
32	31Z1-32	SA1962001	机头防震垫	HEAD CUSHION	2
33	31Z1-33	SA1963001	机头防震垫	HEAD CUSHION	2
34	31Z1-34	109714000	钉	NAIL	4
37	31Z1-37	SA2768101	皮带罩 U	BELT COVER, U	1
38	31Z1-38	SA2769001	皮带罩 D	BELT COVER, D	1
39	31Z1-39	SA2770101	皮带罩架	BELT COVER BRACKET	1
40	31Z1-40	S37263001	皮带罩D盖 L	BELT COVER D LID, L	1
41	31A-5	062500816	螺钉 M5 × 8	SCREW, PAN M5 × 8	4
42	31A-5	062500816	螺钉 M5 × 8	SCREW, PAN M5 × 8	2
43	31Z1-43	100666002	圆头木螺钉 M5.5 × 20	WOOD SCREW, ROUND M5.5 × 20	2
44	31Z1-44	025750132	平垫圈 5.56	WASHER, PLAIN 5.56	2
45	31Z1-45	114486002	油壶	OILER	1
46	31Z1-46	114483002	油壶组件	OILER ASSY	1
47	31Z1-47	S38300001	膝控组件	KNEE LIFTER ASSY	1
48	31Z1-48	146039001	碰块弯杆接头	KNEE LIFTER BRACKET	1
49	31Z1-49	100463001	四角型螺栓 5/16-18 × 16	BOLT, SQUARE 5/16-18 × 16	1
50	31Z1-50	017762013	六角螺栓 15/64-28 × 20	BOLT, 15/64-28 × 20	1
51	31Z1-51	S38278001	膝控弯杆	KNEE LIFTER BAR	1
52	31Z1-52	S34756001	膝控碰块	KNEE LIFTER PLATE	1
53	31Z1-53	114967001	碰块架	KNEE LIFTER PLATE STOPPER	1
54	31Z1-54	110087001	六角螺栓 15/64-28 × 8	BOLT, 15/64-28 × 8	1
55	31Z1-55	S31885001	膝控碰块垫	KNEE LIFTER PLATE COVER	1

Z2. 附件 / Accessories



Z2. 附件 / Accessories

序号	图号	件号	零部件名称	NAME OF PARTS	数量
1	31Z2-1	S07558309	线架组件 3DRTHF	COTTON STAND ASSY, 3DRTHF	1
2	31Z2-2	S51283001	垫圈	SPOOL STAND BASE	3
3	31Z2-3	150182000	线盘软垫	SPOOL MAT	3
4	31Z2-4	S51282101	线轴缓冲架	SPOOL CUSHION	3
5	31Z2-5	S04109001	过线杆支杆	THREAD GUIDE SUPPORT BAR	1
6	31Z2-6	142997001	过线杆 3	THREAD GUIDE, 3	1
7	31Z2-7	SA2867001	管D螺母组件 B	PIPE D SCREW SET, B	1
8	31Z2-8	150206002	平垫圈 16	WASHER, PLAIN 16	1
9	31Z2-9	S38648001	螺母 5/8-28	NUT, 5/8-28	1
10	31Z2-10	150174000	线架支撑管套	COLUMN CAP	1
11	31Z2-11	S01005000	橡皮垫圈	RUBBER WASHER	2
12	31Z2-12	S02747101	弹簧	SPRING	1
13	31Z2-13	S40639001	线架撑管带管套	COLUMN PIPE W/CAP	1
14	31Z2-14	150174000	线架支撑管套	COLUMN CAP	1
15	31Z2-15	156112003	线架撑管 D	COLUMN PIPE, D	1
16	31Z2-16	150173003	撑管夹	COLUMN JOINT	1
17	31Z2-17	S21798001	线盘螺钉复合件	SPOOL & SCREW SET	3
18	31Z2-18	150179002	线轴 B	SPOOL SHAFT, B	3
19	31Z2-19	028050246	弹簧垫圈	WASHER, SPRING	3
20	31Z2-20	021500106	六角螺母 M5	NUT, M5	3
21	31Z2-21	150188009	下过线架支撑板 A	SPOOL HOLDER SUPPORT, A	1
22	31Z2-22	S02779009	下过线架 3	SPOOL HOLDER, 3	1
23	31Z2-23	S02788009	下过线架3组件	THREAD HANGER ASSY, 3	1
24	31Z2-24	S02789009	上过线架 3	THREAD HANGER, 3	1
25	31Z2-25	150183000	过线管套	THREAD HANGER BASE	3
26	31Z2-26	142990001	过线架上过线管	THREAD BUSH	3
27	31Z2-27	150185009	过线杆夹头	THREAD GUIDE HOLDER	1
28	31Z2-28	138843001	连接器	JOINT	1
29	31Z2-29	021500106	六角螺母 M5	NUT, M5	4
30	31Z2-30	S37038001	螺钉 M5 × 14	SCREW, PAN (S/P WASHER) M5 × 14	1
31	31Z2-31	S37037001	螺钉 M5 × 32	SCREW, PAN (S/P WASHER) M5 × 32	1
32	31Z2-32	062501406	螺钉 M5 × 14	SCREW, PAN M5 × 14	2
33	31Z2-33	014060632	固定螺钉 M6 × 6	SET SCREW, SOCKET (CP) M6 × 6	2
34	31Z2-34	021500106	六角螺母 M5	NUT, M5	1
35	31Z2-35	S37037001	螺钉 M5 × 32	SCREW, PAN (S/P WASHER) M5 × 32	1
36	31Z2-36	021500106	六角螺母 M5	NUT, M5	1
37	31Z2-37	031452206	圆头木螺钉 M4.5 × 22	WOOD SCREW, ROUND M4.5 × 22	1
38	31Z2-38	062501006	螺钉 M5 × 10	SCREW, PAN M5 × 10	1

Wa. 警告标签 / Warning labels

警告标签 / Warning labels	零部件名称 / Name of parts	尺寸/ Size (mm)	零部件序号/ Code
	<p>操作注意标签(中/英) Label, caution Chn / Eng</p>	<p>64 x 40</p>	<p>SA2041-001</p>
	<p>接地标记 Label, grounding</p>	<p>Ø12</p>	<p>S37060-001</p>

Sp.不同规格零部件一览表 / Different parts

■ 旋梭 / Rotary hooks

旋梭在下列选购件中列有，请选择符合自己所需要的使用。

(零部件序号请使用旋梭放入旋梭盒内组件的零部件序号)

The following type of rotary hook are available. Select whichever one is suitable for your application.

(The following parts codes are assigned for the rotary hooks in the boxes.)

● 标准 / Normal

	全部规格 / All type
旋梭盒组件 / Rotary hook assy	SA1681-111

● 选购件 / Option

○ 大面积供油 / Extra lubrication rotary hook

因供给旋梭的机油很多，可防止旋梭滚花部的磨损。适用于厚布料和极厚布料的缝纫。

Sufficient oil supplied to the rotroy hook to prevent wear of the rotary hook race.

This type is suitable for sewing heavy and extra heavy materials.

	全部规格 / All type
旋梭盒组件 / Rotary hook assy	SA1682-111

Ga. 工模具一览表 / Gauge parts List

标准件 / For normal

针宽 Needle gauge (mm)	针夹复合件 Needle clamp set	针夹组件 Needle clamp assy	针板 Needle plate	送料牙 Feed dog	压脚组件 Presser foot assy
			用于中厚, 厚布料 (-3,-5) For medium & heavy materials	用于中厚, 厚布料 (-3,-5) For medium & heavy materials	
1/8 (3.2)	(L)S15711-001 (R)S15712-001	(L)S15713-001 (R)S15714-001	117369-001	114951-001	S36544-001
5/32 (4.0)	(L)S15717-001 (R)S15718-001	(L)S15719-001 (R)S15720-001	150850-001	116509-001	116502-001
3/16 (4.8)	(L)S15723-001 (R)S15724-001	(L)S15725-001 (R)S15726-001	117133-001	112659-001	SA4053-001
1/4 (6.4)	(L)S15735-001 (R)S15736-001	(L)S15737-001 (R)S15738-001	117367-001	112660-001	SA4049-001
5/16 (7.9)	(L)S15747-001 (R)S15748-001	(L)S15749-001 (R)S15750-001	144882-001	112661-001	112645-001
3/8 (9.5)	(L)S15753-001 (R)S15754-001	(L)S15755-001 (R)S15756-001	144881-101	116510-101	116498-001
7/16 (11.1)	(L)S15759-001 (R)S15760-001	(L)S15761-001 (R)S15762-001	151596-001	151598-001	151597-101
1/2 (12.7)	(L)S15765-001 (R)S15766-001	(L)S15767-001 (R)S15768-001	S09365-001	116511-001	116499-101
5/8 (15.9)	(L)S15771-001 (R)S15772-001	(L)S15773-001 (R)S15774-001	159577-001	116512-001	116500-101

用于有空缝时 / For sewing without material

- * 针板、送布牙和压脚组件均为非标准件。请在最大节距为4mm以下时使用。
- * Needle plate, the feed dog and presser foot assembly is different from normal parts.
- * **Use gauge components of for sewing without material which have a maximum feed pitch of 4mm or less.**

针宽 Needle gauge (mm)	针夹复合件 Needle clamp set	针夹组件 Needle clamp assy	针板 Needle plate	送料牙 Feed dog	压脚组件 Presser foot assy
3/16 (4.8)	标准件 / Normal	标准件 / Normal	S36010-101	S36011-101	S36012-001
1/4 (6.4)			S36025-001	S36024-001	S36022-001

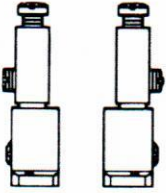
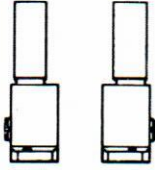
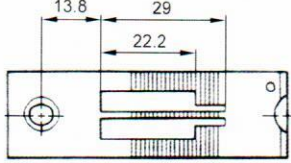
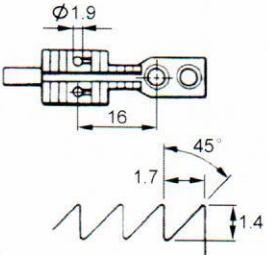
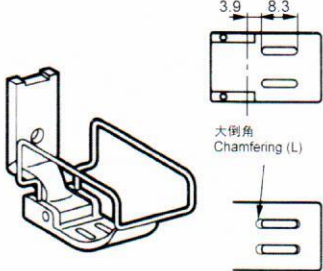
用于薄布料 / For light materials

- * 送布牙为非标准件。
- * The feed dog is different from normal parts.

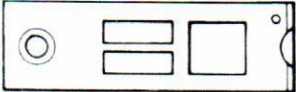
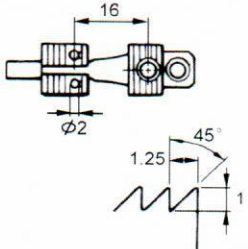
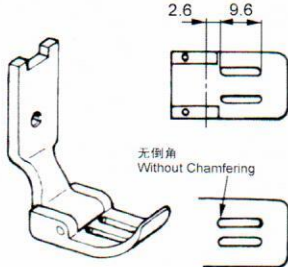
针宽 Needle gauge (mm)	针夹复合件 Needle clamp set	针夹组件 Needle clamp assy	针板 Needle plate	送料牙 Feed dog	压脚组件 Presser foot assy
1/8 (3.2)	标准件 / Normal	标准件 / Normal	标准件 / Normal	S07880-001	标准件 / Normal
3/16 (4.8)				S07878-001	
1/4 (6.4)				S07879-001	

Ga. 工模具一览表 / Gauge parts List

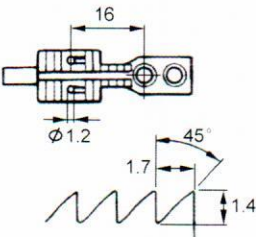
标准件 / For normal

<p>针夹复合件 Needle clamp set</p>	<p>针夹组件 Needle clamp assy</p>	<p>针板 Needle plate</p> <p>用于中、厚布料 (-3,-5) For medium & heavy materials</p>
		
<p>送布牙 Feed dog</p> <p>用于中、厚布料 (-3,-5) For medium & heavy materials</p>	<p>压脚组件 Presser foot assy</p>	
		

用于有空缝时 / For sewing without material

<p>针板 Needle plate</p>	<p>送布牙 Feed dog</p>	<p>压脚组件 Presser foot assy</p>
		

用于薄布料 / For light materials

<p>送布牙 Feed dog</p>


Ga. 工模具一览表 / Gauge parts List

用于厚布料 / For heavy materials

* 送布牙为非标准件。

* The feed dog is different from normal parts.

针宽 Needle gauge (mm)	针夹复合件 Needle clamp set	针夹组件 Needle clamp assy	针板 Needle plate	送料牙 Feed dog	压脚组件 Presser foot assy
3/16 (4.8)	标准件 / Normal	标准件 / Normal	标准件 / Normal	S21149-001	标准件 / Normal
1/4 (6.4)				S21150-001	

用于极厚布料 / For extra heavy materials

* 送布牙为非标准件。

* The feed dog is different from normal parts.

针宽 Needle gauge (mm)	针夹复合件 Needle clamp set	针夹组件 Needle clamp assy	针板 Needle plate	送料牙 Feed dog	压脚组件 Presser foot assy
1/8 (3.2)	标准件 / Normal	标准件 / Normal	标准件 / Normal	158430-001	标准件 / Normal
3/16 (4.8)				S13588-001	
1/4 (6.4)				153882-001	
3/8 (9.5)				153887-001	
1/2 (12.7)				153892-001	
5/8 (15.9)				153897-001	

选购件 / Option parts

* 压脚组件为非标准件。带导向压脚请在最大节距为4mm以下时使用。

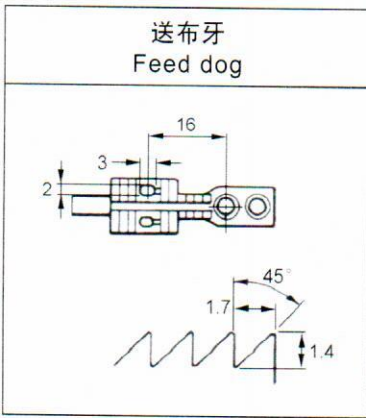
* The presser foot assembly is different from normal parts.

* The presser foot assembly with guide should be used with a maximum feed pitch of 4mm or less.

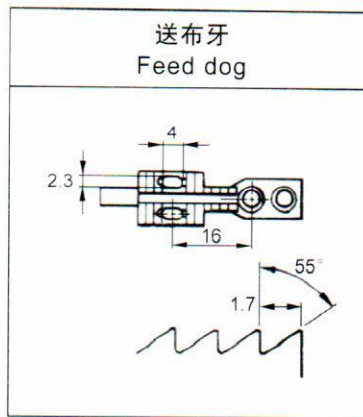
零部件名称 Name of parts	针宽 Needle gauge (mm)	针夹组件 Needle clamp assy	针板 Needle plate	送料牙 Feed dog	压脚组件 Presser foot assy
带导向压脚组件 Presser foot assy with guide	1/8 (3.2)	标准件 / Normal	标准件 / Normal	标准件 / Normal	149311-001
	3/16 (4.8)				117281-001
	1/4 (6.4)				149312-001
带左导向压脚组件 Presser foot assy with guide, L	5/16 (7.9)				S13735-001
用于缝制右拉链时 (R) Presser foot assy for attach zipper (Right)	1/8 (3.2)				S14080-001
用于缝制左拉链时 (L) Presser foot assy for attach zipper (Left)	1/8 (3.2)				S33459-001

Ga. 工模具一览表 / Gauge parts List

用于厚布料 / For heavy materials



用于极厚布料 / For extra heavy materials



选购件 / Optio parts

带导向压脚组件 Presser foot assy with guide	带左导向压脚组件 Presser foot assy with guide, L	用于缝制右拉链时 (R) Presser foot assy for attach zipper (Right)	用于缝制左拉链时 (L) Presser foot assy for attach zipper (Left)
<p>小倒角 Chamfering (S)</p>	<p>无倒角 Without Chamfering</p>	<p>大倒角 Chamfering (L)</p>	<p>大倒角 Chamfering (L)</p>

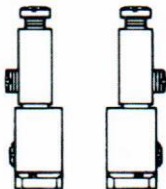
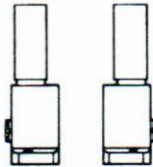
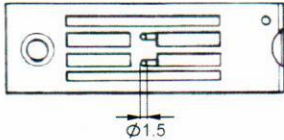
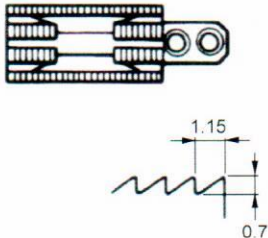
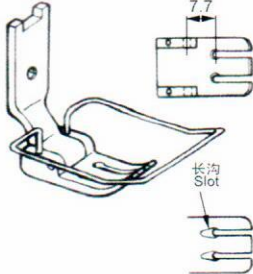
Ga. 工模具一览表 / Gauge parts List

用于下送布 / For drop feed

* 使用5/8"(15.9mm)的大范围工模具时。

* A maximum stitch width specification of 5/8" (15.9mm) is available.

针宽 Needle gauge (mm)	针夹复合件 Needle clamp set	针夹组件 Needle clamp assy	针板 Needle plate	送料牙 Feed dog	压脚组件 Presser foot assy
1/8 (3.2)	(L)S15711-001 (R)S15712-001	(L)S15713-001 (R)S15714-001	S07686-001	S07696-001	S38544-001
3/16 (4.8)	(L)S15723-001 (R)S15724-001	(L)S15725-001 (R)S15726-001	S07688-001	S07698-001	S38542-001
1/4 (6.4)	(L)S15735-001 (R)S15736-001	(L)S15737-001 (R)S15738-001	S07689-001	S07699-001	S38543-001
1/2 (12.7)	(L)S15765-001 (R)S15766-001	(L)S15767-001 (R)S15768-001	S07693-001	S07703-001	S07684-101

针夹复合件 Needle clamp set	针夹组件 Needle clamp assy	针板 Needle plate
		
送料牙 Feed dog	压脚组件 Presser foot assy	
		

索引 / INDEX

CODE	REF.NO	page	CODE	REF.NO	page	CODE	REF.NO	page	CODE	REF.NO	page
012060636	C -55	8	062061016	L -68	28	100666002	Z1 -43	34	143613051	F -16	14
	F -32	14	062061616	C -48	8	100887001	Z1 -5	34	143616001	F -17	14
	G -7	16	062260316	C -16	6	104449001	A -4	2	143882001	Z1 -30	34
	G -27	16	062300416	G -24	16	104450101	L -19	26	143910009	Z1 -31	34
	M -44	30	062300612	J1 19	18		L -45	26	144226001	Z1 -15	34
012061036	B -21	4	062300616	M -39	30		L -61	26	144504001	M -27	30
	B -25	4	062350512	M -22	30	104821001	F -44	14	144881101	Ga	39
012061036	E -14	12	062350516	C -20	6	104833001	D -2	10	144882001	Ga	39
012500536	E -22	12		C -42	8	107155001	C -39	6	145446001	M -23	30
	J1 -15	18		D -8	10	107415014	Z1 -11	34		N -29	32
	M -31	30	062350616	C -37	6	107415022	Z1 -11	34	145573000	Z1 -16	34
	N -8	32	062350816	C -32	6	108549001	F -23	14	146039001	Z1 -48	34
	N -13	32	062400616	G -19	16	108801001	L -59	26	146293001	Z1 -26	34
	N -33	32		G -34	16	108802001	G -5	16	149311001	Ga	41
013660412	H -3	22		J1 -27	18		L -58	26	149312001	Ga	41
014060632	Z2 -33	36		J1 -29	18	109714000	Z1 -34	34	149570001	Z1 -9	34
014080831	C -43	8		J1 -32	18	110087001	Z1 -54	34	149578000	Z1 -19	34
014400432	D -30	10		J1 -27	20	112609001	C -14	6	149604001	C -8	6
016061031	F -29	14		J1 -29	20	112645001	Ga	39	149605001	C -9	6
017762013	Z1 -50	34		J1 -32	20	112659001	Ga	39	149608001	C -13	6
018062032	C -50	8		L -64	28	112660001	Ga	39	149610001	C -17	6
	C -60	8	062401216	N -17	32	112661001	Ga	39	149611101	C -18	6
	F -15	14	062401616	L -54	26	112728001	C -33	6	149622001	C -25	6
018062532	C -57	8	062500616	A -9	2	112753001	L -67	28	149827001	C -10	6
018401036	C -4	6		L -57	26	113014000	B -7	4	149831101	H -5	22
021060306	E -15	12		N -27	32	113050001	H -10	22	149863001	D -28	10
	E -32	12	062500816	A -23	2	114483002	Z1 -46	34	150173003	Z2 -16	36
	Z1 -24	34		B -27	4	114486002	Z1 -45	34	150174000	Z2 -10	36
021300106	M -11	30		B -32	4	114941001	M -41	30		Z2 -14	36
021350106	G -16	16		D -16	10	114951001	Ga	39	150179002	Z2 -18	36
021500106	E -25	12		D -25	10	114967001	Z1 -53	34	150182000	Z2 -3	36
	F -53	14		E -2	12	115947001	J1 -42	20	150183000	Z2 -25	36
	Z2 -20	36		F -45	14	116010001	A -18	2	150185009	Z2 -27	36
	Z2 -29	36		L -8	26	116498001	Ga	39	150188009	Z2 -21	36
	Z2 -34	36		M -42	30	116499101	Ga	39	150206002	Z2 -8	36
	Z2 -36	36		Z1 -41	34	116500101	Ga	39	150820001	D -18	10
021500316	J1 -12	18		Z1 -42	34	116502001	Ga	39	150850001	Ga	39
025030132	G -23	16	062501006	Z1 -38	36	116509001	Ga	39	151025001	J2 -2	22
025050236	F -48	14	062501016	D -4	10	116510101	Ga	39	151027001	J2 -7	22
025050336	F -43	14		F -3	14	116511001	Ga	39	151034001	J2 -6	22
025060132	G -14	16		-17	26	116512001	Ga	39	151035001	J2 -5	22
025060136	J1 -49	20	062501216	A -7	2	117133001	Ga	39	151596001	Ga	39
	N -6	32		F -42	14	117281001	Ga	41	151597101	Ga	39
	N -15	32		F -47	14	117367001	Ga	39	151598001	Ga	39
025060236	L -69	28		F -52	14	117369001	Ga	39	153230101	Z1 -27	34
025100132	F -36	14	062501406	Z2 -32	36	118735002	C -51	8	153882001	Ga	41
025710132	J1 -11	18	062501416	A -5	2	118837001	Z1 -3	34	153887001	Ga	41
025750132	Z1 -44	34		D -21	10	118954000	F -10	14	153892001	Ga	41
028050246	Z2 -19	36		E -24	12	122991001	Z1 -1	34	153897001	Ga	41
031452206	Z2 -37	36	071063550	D -19	10	129458102	F -22	14	154125001	Z1 -7	34
047301842	D -11	10	072600480	K -9	24	138843001	Z2 -28	36	154560001	M -28	30
048040342	N -2	32	076023800	B -17	4	140063001	A -1	2	154567000	C -44	8
	N 14	32	081004070	L -27	26	140890009	L -66	28	154965001	J1 -17	18
048060342	F -18	14		L -31	26	141208001	E -5	12	155510001	M -29	30
048080342	F -35	14	081009070	N -5	32	142002001	Z1 -6	34	156112003	Z2 -15	36
060350616	C -27	6	081038070	L -20	26	142274101	L -36	26	158115001	B -20	4
	C -30	6	0A4400806	L -46	26	142443001	Z1 -2	34		K -13	24
061350616	M -19	30	0A5501006	L -24	26	142721001	Z1 -8	34	158430001	Ga	41
	M -37	30	100032004	H -8	22	142746002	F -21	14	159577001	Ga	39
062060816	F -7	14	100328001	F -25	14	142990001	Z2 -26	36	159805001	M -24	30
	F -51	14	100401021	N -30	32	142997001	Z2 -6	36	228475000	L -13	26
	L -49	26	100463001	Z1 -49	34	143611201	F -8	14	S01005000	Z2 -11	36
062061016	J1 -48	20	100477009	Z1 -13	34	143612100	F -9	14	S01567001	J2 -3	22

索引 / INDEX

CODE	REF.NO	page	CODE	REF.NO	page	CODE	REF.NO	page	CODE	REF.NO	page
S01568001	J2 -4	22	S15714001	Ga	39	S25236001	B -12	4	SA1752014	Z1 -10	34
S01928151	J1 -50	20		Ga	43		F -13	14	SA1752022	Z1 -10	34
	Z1 -12	34	S15717001	Ga	39		K -11	24	SA1962001	Z1 -32	34
S02747101	Z2 -12	36	S15718001	Ga	39	S25260001	B -8	4	SA1963001	Z1 -33	34
S02779009	Z2 -22	36	S15719001	Ga	39		C -46	8	SA1969001	Z1 -29	34
S02788009	Z2 -23	36	S15720001	Ga	39	S25289001	E -9	12	SA1971101	N -1	32
S02788009	Z2 -24	36	S15723001	Ga	39	S25344001	Z1 -22	34	SA1975001	N -3	32
S04109001	Z2 -5	36		Ga	43	S25475101	Z1 -23	34	SA1978001	N -4	32
S05246000	L -35	26	S15724001	Ga	39	S25789000	N -9	32	SA1980001	N -7	32
S07346101	E -6	12		Ga	43	S31006001	E -11	12	SA1981101	N -10	32
S07349001	E -20	12	S15725001	Ga	39	S31032001	N -31	32	SA1982101	N -11	32
S07350001	E -33	12		Ga	43	S31885001	Z1 -55	34	SA1983001	N -12	32
S07353001	E -13	12	S15726001	Ga	39	S33459001	Ga	41	SA1984001	N -16	32
S07355051	E -23	12		Ga	43	S34438051	A -17	2	SA1985001	N -18	32
S07374109	F -38	14	S15735001	Ga	39	S34561001	C -11	6	SA1988001	N -20	32
S07376101	F -49	14		Ga	43	S34562001	C -12	6	SA1989001	N -21	32
S07419001	J1 -6	18	S15736001	Ga	39	S34756001	Z1 -52	34	SA1990101	N -22	32
S07420000	J1 -5	18		Ga	43	S36010101	Ga	39	SA1991001	N -23	32
S07494001	H -12	22	S15737001	Ga	39	S36011101	Ga	39	SA1992101	N -25	32
S07558309	Z2 -1	36		Ga	43	S36012001	Ga	39	SA1994001	N -28	32
S07575000	C -23	6	S15738001	Ga	39	S36022001	Ga	39	SA2040001	A -22	2
S07575001	C -23	6		Ga	43	S36024001	Ga	39		Wa	37
S07575002	C -23	6	S15747001	Ga	39	S36025001	Ga	39	SA2041001	A -22	2
S07575003	C -23	6	S15748001	Ga	39	S36544001	Ga	39		Wa	37
S07575004	C -23	6	S15749001	Ga	39	S36663051	A -16	2	SA2165001	E -29	12
S07575005	C -23	6	S15750001	Ga	39	S37037001	Z2 -31	36	SA2190001	N -24	32
S07575006	C -23	6	S15753001	Ga	39		Z2 -35	36	SA2441001	A -6	2
S07575007	C -23	6	S14754001	Ga	39	S37038001	Z2 -30	36	SA2444001	A -10	2
S07575008	C -23	6	S15755001	Ga	39	S37060001	A -21	2	SA2445001	A -11	2
S07575009	C -23	6	S15756001	Ga	39		Wa	37	SA2447001	A -12	2
S07575010	C -23	6	S15759001	Ga	39	S37263001	Z1 -40	34	SA2449001	A -14	2
S07575011	C -23	6	S15760001	Ga	39	S38212001	J1 -16	18	SA2463001	B -24	4
S07588101	D -26	10	S15761001	Ga	39	S38266000	L -10	26	SA2469001	B -26	4
S07684101	Ga		S15762001	Ga	39	S38274001	M -32	30	SA2474101	C -3	6
S07686001	Ga		S15765001	Ga	39	S38278001	Z1 -51	34	SA2479001	A -13	2
S07688001	Ga			Ga	43	S38300001	Z1 -47	34		A -15	2
S07689001	Ga		S15766001	Ga	39	S38398001	B -5	4	SA2485001	C -45	8
S07693001	Ga			Ga	43			14	SA2486101	C -47	8
S07696001	Ga		S15767001	Ga	39	S38542001	Ga	43	SA2489001	C -49	8
S07698001	Ga			Ga	43	S38543001	Ga	43	SA2490101	C -52	8
S07699001	Ga		S15768001	Ga	39	S38544001	Ga	43	SA2493001	C -58	8
S07703001	Ga			Ga	43	S38648001	Z2 -9	36	SA2494001	C -59	8
S07746001	J2 -8	22	S15771001	Ga	39	S38707001	B -4	4	SA2495001	E -1	12
S07876101	L -43	26	S15772001	Ga	39	S39051001	E -12	12	SA2496001	E -7	12
S07878001	Ga	39	S15773001	Ga	39	S39830101	F -27	14	SA2498001	E -8	12
S07879001	Ga	39	S15774001	Ga	39	S40639001	Z2 -13	36	SA2499001	E -10	12
S07880001	Ga	39	S15889001	Z1 -25	34	S48190000	L -15	26	SA2500001	E -16	12
S09260001	J1 -4	18	S17774001	Z1 -4	34	S48204000	C -62	8	SA2501001	E -17	12
S09261001	J1 -4	18	S18964001	D -15	10	S48367000	F -41	14	SA2502001	E -18	12
S09365001	Ga	39	S20681000	M -25	30	S49623000	L -14	26	SA2504001	E -21	12
S11244001	H -7	22	S20682105	M -26	30	S50098101	F -24	14	SA2506001	E -26	12
S12441001	H -32	32	S21149001	Ga	41	S51282101	Z2 -4	36	SA2507001	E -27	12
S13085001	H -4	22	S21150001	Ga	41	S51283001	Z2 -2	36	SA2509001	E -1	14
S13160001	B -15	4	S21798001	Z2 -17	36	S55663001	Z1 -14	34	SA2511001	F -2	14
S13588001	Ga	41	S23418002	N -19	32	SA1120001	B -9	4	SA2511001	F -4	14
S13735001	Ga	41		Z1 -28	34	SA1174001	E -3	12	SA2515001	F -5	14
S14080001	Ga	41	S23460001	C -53	8	SA1175001	E -4	12	SA2516001	F -6	14
S15711001	Ga	39	S23651001	B -10	4	SA1179001	E -19	12	SA2518001	F -11	14
	Ga	43		B -18	4		E -28	12	SA2521001	F -14	14
S15712001	Ga	39		G -9	16		E -30	12	SA2523001	F -26	14
	Ga	43	S23773001	D -22	10	SA1360001	N -26	32	SA2525001	F -28	14
S15713001	Ga	39	S25234001	B -3	4	SA1681111	Sp	38	SA2526001	F -30	14
	Ga	43	S25235001	B -11	4	SA1682111	Sp	38	SA2527001	F -31	14

索引 / INDEX

CODE	REF.NO	page	CODE	REF.NO	page	CODE	REF.NO	page	CODE	REF.NO	page				
SA2528101	F	-33	14	SA2632001	M	-30	30	SA3840001	G	-10	16	SA4396001	C	-26	6
SA2529101	F	-34	14	SA2633001	M	-33	30	SA3855001	G	-1	16	SA4397001	C	-28	6
SA2530001	F	-37	14	SA2634001	M	-36	30	SA3856001	J1	-8	18	SA4398001	C	-29	6
SA2531001	F	-39	14	SA2635001	M	-38	30	SA3859001	J1	-9	18	SA4399001	C	-31	6
SA2532001	F	-46	14	SA2636001	M	-43	30	SA3864001	G	-11	16	SA4400001	C	-38	6
SA2533001	F	-50	14	SA2637001	M	-45	30	SA3886001	G	-12	16	SA4401001	C	-36	6
SA2543001	G	-4	16	SA2638001	M	-46	30	SA3887001	G	-21	16	SA4402001	D	-1	10
SA2544001	G	-6	16	SA2639001	M	-40	30	SA3888001	G	-22	16	SA4404001	D	-5	10
SA2546001	G	-8	16	SA2640001	M	-47	30	SA3889101	J1	-13	18	SA4405001	D	-7	10
SA2550001	G	-25	16	SA2691101	Z1	-17	34	SA3890001	K	-1	24	SA4406001	D	-10	10
SA2551001	G	-26	16	SA2692101	Z1	-18	34	SA3891001	K	-3	24	SA4408001	D	-12	10
SA2553001	G	-17	16	SA2720101	B	-22	4	SA3894001	J1	-31	18	SA4409001	D	-13	10
SA2554001	G	-18	16	SA2722001	J1	-43	20		J1	-31	20	SA4411101	D	-14	10
SA2555001	G	-28	16	SA2723001	L	-21	26	SA3896001	L	-25	26	SA4412001	D	-17	10
SA2556001	J1	-41	20	SA2724001	G	-35	16	SA3898001	L	29	26	SA4413001	D	-20	10
	J1	-45	20		L	-22	26	SA3916001	J1	-39	20	SA4414001	D	-23	10
SA2557001	J1	-7	18	SA2727101	L	-34	26	SA3923001	L	-53	26	SA4415001	D	-24	10
SA2560001	J1	-10	18	SA2748001	B	-16	4	SA3924001	A	-2	2	SA4416001	D	-27	10
SA2562101	J1	-18	18	SA2750001	B	-19	4	SA3946001	L	-3	26	SA4417001	D	-29	10
SA2563101	J1	-34	18	SA2759001	K	-6	24	SA3961001	J1	-2	18	SA4418001	D	-31	10
SA2565001	J1	-44	20	SA2768101	Z1	-37	34	SA3965001	G	-2	16	SA4419001	D	-15	10
SA2566001	G	-15	16	SA2769001	Z1	-38	34	SA3988001	J1	-38	20	SA4420101	J1	-1	18
SA2567001	J1	-46	20	SA2770101	Z1	-39	34	SA3990001	G	-20	16	SA4421101	J1	-33	18
SA2568001	J1	-47	20	SA2806001	G	-31	16	SA4009001	G	-33	16	SA4441001	D	-6	10
SA2571001	K	-5	24	SA2814201	L	-1	26	SA4011001	G	-36	16	SA4444001	J1	-4	18
SA2574001	J1	-21	18	SA2824001	M	-20	30	SA4012001	J1	-30	18	SA4506001	M	-34	30
	J1	-24	18	SA2825001	J1	-40	20		J1	-30	20	SA4507001	M	-35	30
	J1	-24	20	SA2861001	B	-13	4	SA4014001	L	-65	28	SA4537001	B	-28	4
SA2575001	J1	-22	18	SA2867001	Z2	-7	36	SA4026001	J1	-14	18	SA4538001	G	-30	16
	K	-7	24	SA2927001	G	-13	16	SA4028001	G	-3	16	SA4549001	J1	-20	18
SA2576001	J1	-23	18	SA2928001	G	-29	16	SA4029001	J1	-3	18	SA4550001	B	-1	4
SA2579001	J1	-35	20	SA2929001	A	-20	2	SA4033101	L	-12	26	SA4583001	C	-24	6
SA2582001	Z1	-20	34		L	-9	26	SA4038001	J1	-4	18	SA4585001	K	-2	24
SA2584001	K	-8	24		L	-18	26	SA4042001	J1	-26	18		K	-4	24
SA2585001	F	-12	14	SA2936101	B	-14	4	SA4043001	J1	-36	20	SA5154001	L	-16	26
	K	-10	24			-4	26	SA4044001	J1	-28	18	SA5155001	C	-40	6
	K	-14	24			-5	26	SA4045001	J1	-37	20	SA5224001	L	-11	26
SA2587101	K	-12	24	SA3037001	L	-37	26	SA4049001	Ga		39	SA5237001	C	-41	8
SA2590001	Z1	-21	34	SA3040001	L	-2	26	SA4053001	Ga		39	SA5332001	C	-61	8
SA2596001	L	-41	26		L	-38	26	SA4117001	C	-54	8	SA5333001	D	-9	10
SA2597001	L	-42	26	SA3044001	L	-50	26	SA4118001	C	-56	8	SA5336001	D	-3	10
SA2598101	L	-44	26	SA3045101	L	-47	26	SA4149001	E	-31	12	W01519001	G	-32	16
SA2599001	L	-26	26	SA3046001	L	-48	26	SA4212001	M	-3	30				
	L	-30	26	SA3047001	L	-52	26	SA4213001	K	-15	24				
SA2604001	L	-55	26	SA3048101	L	-62	26	SA4214001	B	-23	4				
SA2605001	L	-56	26	SA3049001	L	-63	26	SA4335001	B	-6	4				
SA2606101	L	-60	26	SA3054001	J1	-25	18	SA4364001	A	-3	2				
SA2607001	M	-1	30	SA3055101	L	-6	26	SA4370001	A	-8	2				
SA2613001	M	-4	30		L	-7	26	SA4373001	B	-2	4				
SA2614001	M	-5	30		L	-23	26	SA4376101	B	-29	4				
SA2615001	M	-6	30		L	-51	26	SA4377001	C	-1	6				
SA2619001	M	-7	30	SA3056001	F	-20	14	SA4378001	C	-2	6				
SA2620001	M	-9	30	SA3059001	B	-31	4	SA4382001	C	-5	6				
SA2621001	M	-10	30	SA3060001	L	-39	26	SA4385001	C	-6	6				
SA2623001	M	-8	30	SA3061001	L	-33	26	SA4387001	C	-7	6				
SA2624001	M	-13	30	SA3065001	B	-30	4	SA4387002	C	-7	6				
SA2625001	M	-14	30	SA3067001	F	-40	14	SA4387003	C	-7	6				
SA2626001	M	-12	30	SA3147001	L	-28	26	SA4389001	C	-21	6				
	M	-15	30		L	-32	26	SA4391001	C	-15	6				
SA2627001	M	-16	30		L	-40	26	SA4392001	C	-19	6				
SA2628001	M	-17	30	SA3415001	M	-2	30	SA4393001	C	-34	6				
SA2629001	M	-18	30	SA3416001	M	-2	30	SA4394001	C	-35	6				
SA2630001	M	-21	30	SA3417001	M	-1	30	SA4395001	C	-22	6				

