

GLOBAL

WF 9201 – 50

WF 9202 – 50

**LONG VERSION, COMPOUND-FEED, HEAVY DUTY,
LOCKSTITCH SEWING MACHINE**

INSTRUCTION MANUAL SPARE PARTS LIST

Global International BV

H. Figeeweg 4
2031 BJ Haarlem
tel: 023-5319584
fax: 023-5311022
e-mail: global@imca.net

Global Parts bv

H. Figeeweg 4B
2031 BJ Haarlem
tel: 023-5425312
fax: 023-5423422
e-mail: globalparts@planet.nl

— INDEX —

Specifications	1
Setting up the machine	2
Caution before starting the operation	2
Oiling	2-3
Needle	3
Thread	4
Winding the lower thread on the bobbin	4
Removing and inserting the bobbin	4
Threading the needle	5
Regulating the thread tensions	5
Adjustment of the stitch	6
Adjustment of the pressure	6
Reverse stitching	6

INSTRUCTIONS FOR ADJUSTMENT

Relative position of vibrating and lifting presser bar, also, of the needle and the needle hole of the feeder	7
Adjustment of the height of the feed dog	7
Timing between the hook and the needle	8
Adjustment of bobbin case opener	9
Adjustment of the height of the presser feet	10
Timing of the vibrating and lofting presser feet	10
Adjustment of the clearance for the vibrating and lifting presser feet	10
Adjustment of the thread controller spring	11
Replacement of the connection belt	11-12
To re-engage the safety clutch	13
Adjustment of the oiling for the hook saddle	13

OPERATING INSTRUCTIONS SERIES MODEL

This is a guide to use of series model long-arm high speed for sewing machine heavy-duty materials sewing machine with compound feed and walking foot feeding mechanism, under the best condition.

Please read this guide thoroughly so that you may expect good performance.

Specifications

	SINGLE NEEDLE
MAX. SPEED (s. p. m.)	1,500
MAX. STITCH (mm)	10
MAX. LIFT OF FOOT (mm)	20
NEEDLE	DY × 3 (standard No. 24) • SY5213 • 794
BOBBIN SIZE (mm)	370 × 13
WORKING SPACE (mm)	508 × 153
BED DIMENSION	846 × 230
POWER REQUIRED (W)	400w, 2p
MOTOR PULLEY DIA. (mm)	70 φ / 60 φ (50 / 60Hz)

	Double needle
MAX. SPEED (s. p. m.)	1,500
MAX. STITCH (mm)	10
MAX. LIFT OF FOOT (mm)	20
NEEDLE	DY × 3 (standard No. 24) • SY5213 • 794
BOBBIN SIZE (mm)	370 × 13
WORKING SPACE (mm)	508 × 153
BED DIMENSION	846 × 230
POWER REQUIRED (W)	400w, 2p
MOTOR PULLEY DIA. (mm)	60 φ / 50 φ (50 / 60Hz)
NET/GROSS WEIGHTS M ²	112/kgs. 154/kgs. 0.377 / M ²
NEEDLE SPACING	3/16" (4.7 mm), 2-3/8" (60 mm), Standard 1/4" (6.4 mm)

USE FOR

Tent, Sailcloth, Rubberized, Fabrics, Heavy Synthetic, Heavy Upholstery Materials, Fiber Plate, Leather, Etc.

SETTING UP THE MACHINE (Fig. 1)

SETTING UP THE MACHINE (Fig. 1)

Setting up the machine on the table after removed two pieces of supporting bolts (A) under the bed.

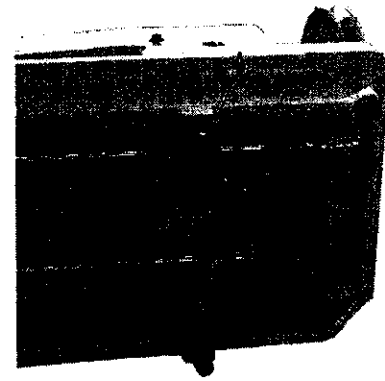


Fig.1

CAUTION BEFORE STARTING THE OPERATION

1. Do not operate the machine, even if only for testing and or idling, unless it has been properly oiled at every spot and reservoir required lubrication.

During practice period the new machine should be oiled more frequency.

2. The machine pulley turns toward to the operator.

(The auxiliary hand wheel turns to clockwise.)

Do not operate the machine at maximum speed of 1,500 s.p.m., for starting operation. To take practice operation at speed of 1,000 s.p.m., but operating speed are to be changed to proper condition suitable for the materials in case by case.

OILING (Figs. 2, 3, 4 & 5)

1. Oil should be applied at each of the place designated by arrows in Fig. 2, 3, 4&5.

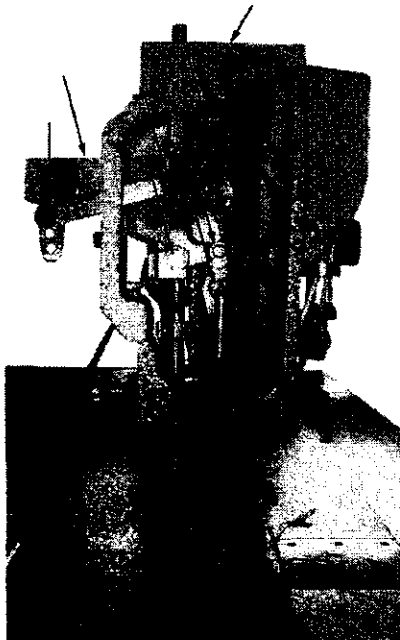


Fig.2

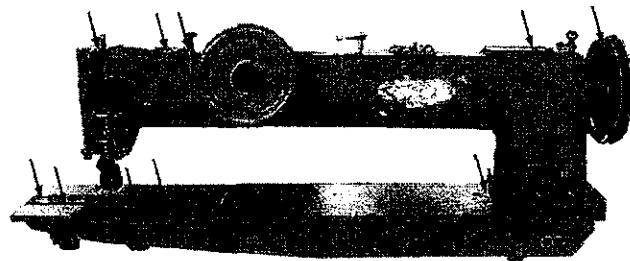


Fig.3

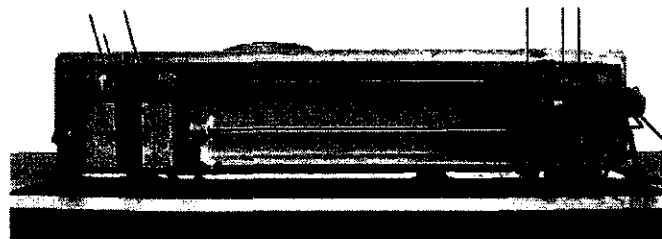


Fig.4



Fig.5

2. To fill the oil for reservoir of hook saddle from the hole after taken out the oil gauge (Fig. 6 A) and pour the oil until the oil level reached to the upper reference line of the oil gauge (Fig. 6-1 B) .
3. When in continuous use, it should be oiled at least twice a day.

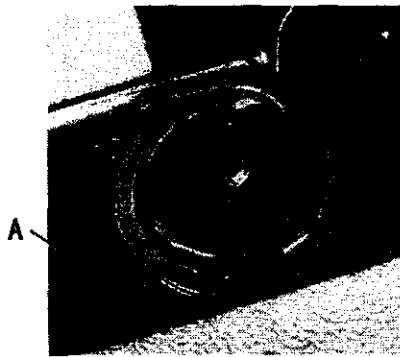


Fig.6



Fig.6-1

NEEDLE (Figs. 7 & 8)

1. Series machines are set up to use standard needle of $DY \times 3$ (standard No. 24) • SY5213 • 794.
The size of needle to be used should be determined by the size of thread, type and thickness of the sewing materials.
2. To insert the needle, turn the machine pulley over toward you until the needle bar moves up to its highest point, put the needle up into the needle bar as deeply as it will go, with the long groove of the needle faced outside.

Tighten the needle set screw securely.

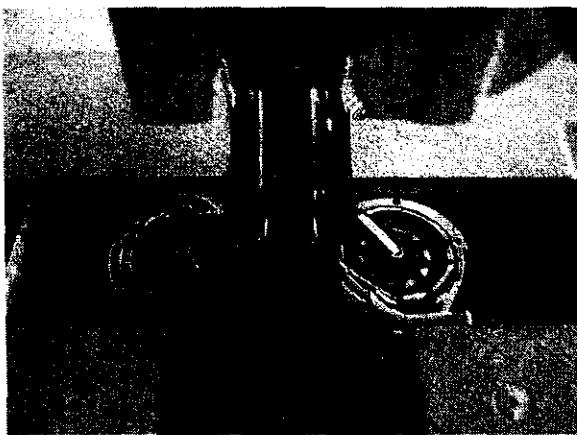


Fig.7

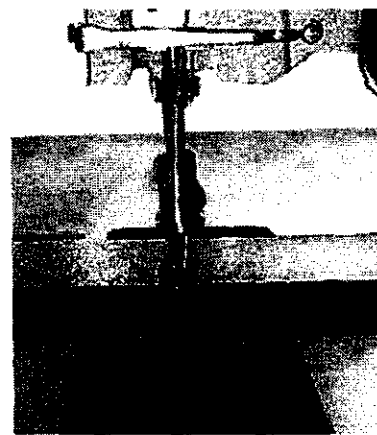


Fig.8

THREAD (Fig. 9)

Normally, left twisted thread is used for upper (needle) thread. (But, for left side needle of twin-needle machine, it can be finished in fine results with right twisted thread.)

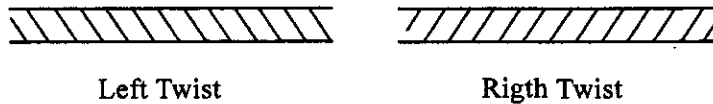


Fig.9

WINDING THE LOWER THREAD ON THE BOBBIN (Figs. 10 & 11)

1. Pass the thread through (1) - (4), and wind several times around the bobbin, which set up to the shaft of bobbin winder. (5)
2. Press the lever (6) to arrow direction, then the bobbin winds the thread automatically, in engage with the operation of the machine.

The bobbin will automatically be stopped after the bobbin is filled with thread.

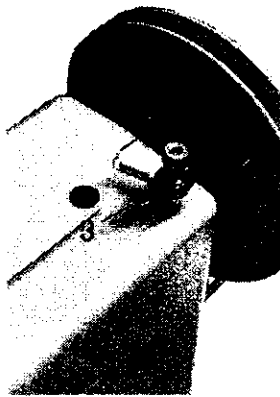


Fig.10

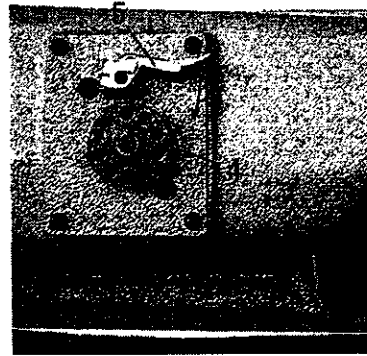


Fig.11

REMOVING AND INSERTING THE BOBBIN (Figs. 12 & 13)

1. Draw back the side plate (1) on the bed of the machine, and raise the hinged latch (2) to a vertical position, then removes and insert the bobbin.
2. Insert the bobbin and pull thread out about 4-5cm (3), then push down the hinged latch (2) and draw the thread end under the tension spring (4).
3. When closing the side plate (1), leave just enough space for the thread to pass through.

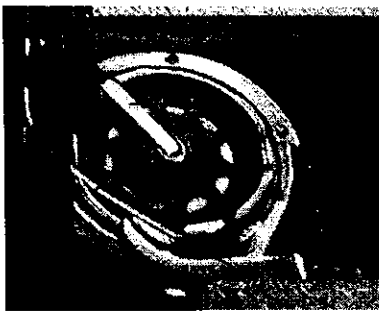


Fig.12

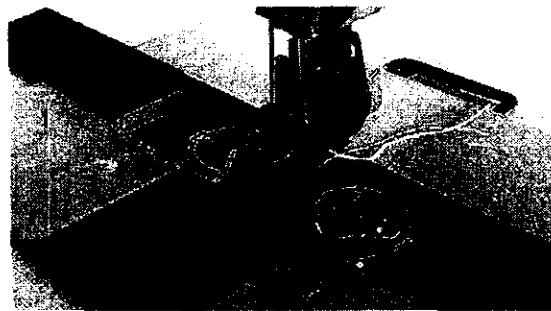


Fig.13

THREADING THE NEEDLE

1. Pass the thread from thread guide (1) - eyelet (2) - tension disc (3) - tension thread guide (4) - guide (5) - thread take-up spring (6) - guide (7) - take-up lever (8) - guide (7) - lower guide (9) - self threading needle bar thread guide (10) - through the eye of the needle (11) .

(Remark) Wind the thread a single time to tension thread guide (4) .

2. With the left hand hold the end of the needle thread leaving it slack from the hand to the needle. Turn the machine pulley over toward you until the needle moves down and up again to its highest point, thus catching the bobbin thread, draw up the needle thread, and the bobbin thread will come up with it through the hole in the feed dog. Lay the threads back under the presser feet and close the slide.

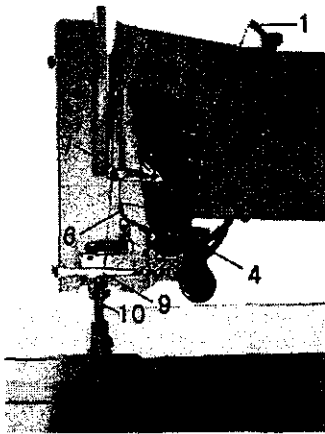


Fig.14

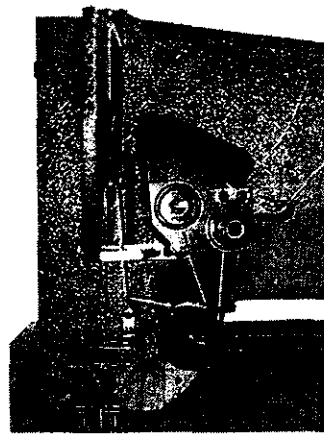


Fig.15

REGULATING THE THREAD TENSIONS (Figs. 16 & 17)

1. The tension on the needle thread is regulated by the thumb nut (Fig. 16A) .
2. The tension on the bobbin thread is regulated by the screw of the tension spring on the outside of the bobbin case (Fig. 17A) .

To increase the tension, turn over nut or screw to the right, and to decrease the tension, turn over nut or screw to the left.



Fig.16



Fig.17

ADJUSTMENT OF THE STITCH LENGTH (Fig. 18)

The length of stitch is regulated by pressing down the button (1) with left hand, while turning the machine pulley (2) slowly with right hand in the condition of setting the top of button (1) to the feed eccentric. To increase the length of stitch, turn the machine pulley over toward you. To decrease the length of stitch, turn the machine pulley to opposite direction.

When the desired length of stitch is obtained, operate the machine after fully confirmed releasing the button (1) to the original position.

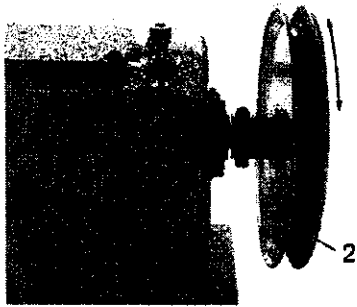


Fig.18

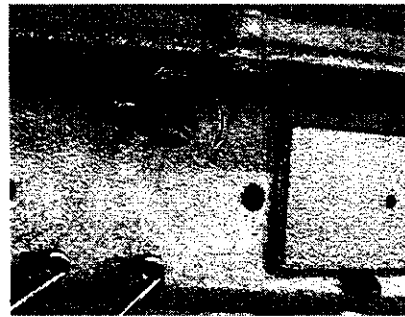


Fig.19

ADJUSTMENT OF THE PRESSURE (Fig. 19)

The pressure of the presser feet is regulated by the adjusting screw.

To increase the pressure, turn the screw to clockwise, and decrease it, turn the screw to counter-clockwise.

REVERSE STITCHING (Fig. 20)

The chain for the feed reversing pedal is connected to the hook of feed reversing lever (A) underneath of the bed of the machine.

To feed the work toward you, press down firmly on the feed reversing pedal, and do not stop to press down on the way.

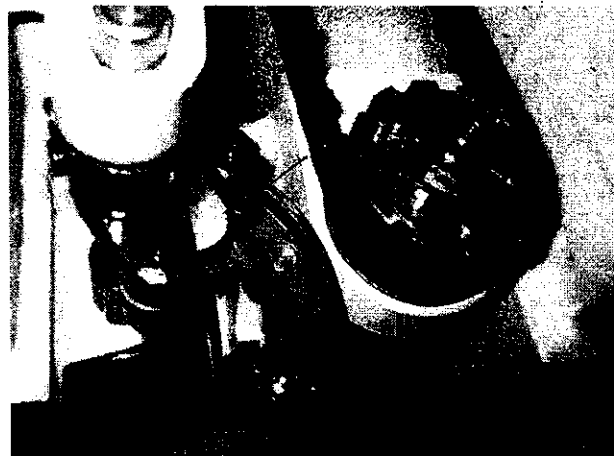


Fig.20

INSTRUCTIONS FOR ADJUSTMENT

RELATIVE POSITION OF VIBRATING AND LIFTING PRESSER BAR, ALSO, OF THE NEEDLE AND THE NEEDLE HOLE OF THE FEEDER (Figs. 21 & 22)

1. The distance between the vibrating presser bar (1) and lifting presser bar (2), after adjusting the feed eccentric so that there is no feed movement of the needle bar, should be 15.5 mm (one needle) and 14.5 mm (two needle) .

To adjust by the screws for connecting crank (3) .

2. Normally, relative position of the feed dog against the needle, the needle should be passed through the center of the needle hole of the feed dog.

To adjust by the screw for the feed rock shaft bell crank (4) .

3. Securely tighten the screws after finished adjustment.

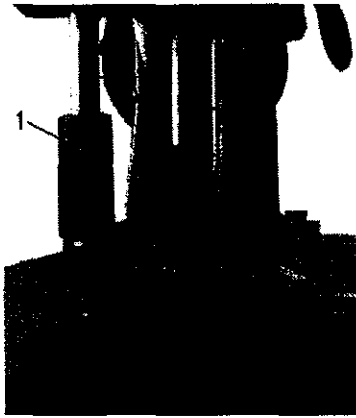


Fig.21



Fig.22

ADJUSTMENT THE HEIGHT OF THE FEED DOG (Figs. 23、 24 & 25)

The maximum height of the feed dog from the surface of the needle plate is normally 1.3 mm.

To adjust this height by the screw on the feed lifting cam fork of the feed bar and raise or lower the feed dog, as may be required, and retighten the screw (1) .

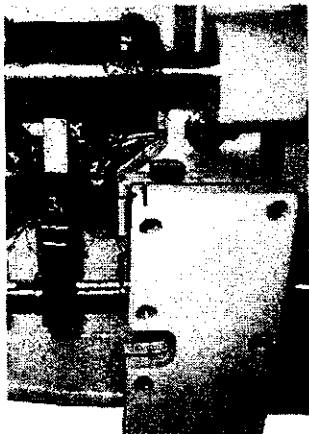


Fig.23

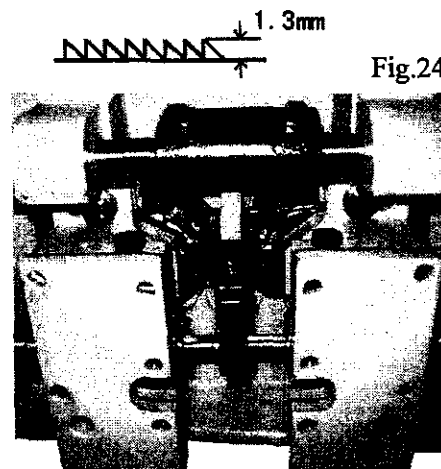


Fig.24

Fig.25

TIMING BETWEEN THE HOOK AND THE NEEDLE (Fig. 26)

Set the feed eccentric with the button at no feeding position, and confirm the length between vibrating and lifting presser bar should be 15.5 mm.

1. If the needle bar and sewing hook are correctly timed, the point of the hook will be at the center of the needle when the needle raised 3.8 mm + 0.5 mm from the lowest point.

For the adjustment of timing, loosen 2 screws (1) for hook driving gear, and tap this gear to the right or left in clearance of 2 mm on the hook driving shaft until the point of the hook is at the center of the needle.

Tapping to the right gives an earlier hook timing, and to the left gives later hook timing.

Except the above case, to adjust in changing gear condition between hook driving gear (2) and hook shaft gear (3) .

Securely tighten the 2 set screws for hook driving gear after finished adjustment

2. Normal clearance between hook point and scarf of the needle is in 0.02 - 0.1 mm

- (1) Loosen two screws (4) and (5) for hook saddle.
- (2) Move hook saddle to right or left, as may be required, until hook point is as close to needle as possible without striking it.
- (3) Then securely tighten two screws.
- (4) To check the needle with careful attention free from bent before adjustment.

3. Height of the needle bar (Fig. 27) .

Normal clearance between top of the eye of the needle and hook point is 2.2 mm.

In case the needle bar is incorrectly set, loose the needle bar connecting stud pinch screw (A) and place the needle bar in correct position as required above, then retighten the screw (A) .

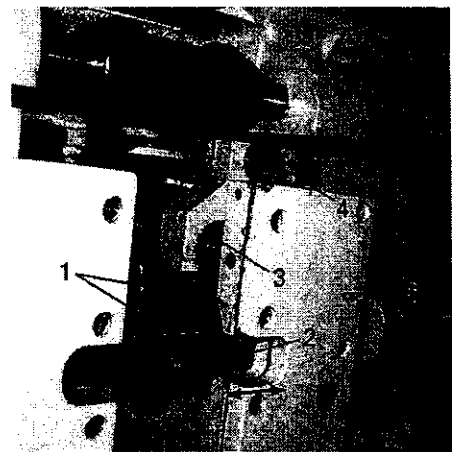
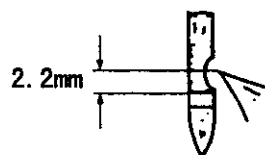


Fig.26

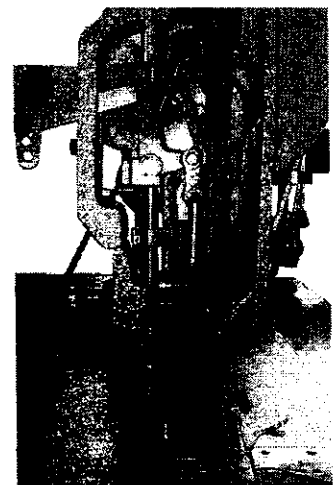


Fig.27

ADJUSTMENT OF BOBBIN CASE OPENER (Fig. 28)

1. Turn the machine pulley or hand wheel (Fig. 31 D & E) until the top of the opener is located at the distance from the needle plate.
2. In this position, adjust it so that the clearance between the inside edge of the opener (A) and the top of the hook is about 0.3 - 0.8 mm.
3. Securely tighten the screw (B) after finished adjustment.

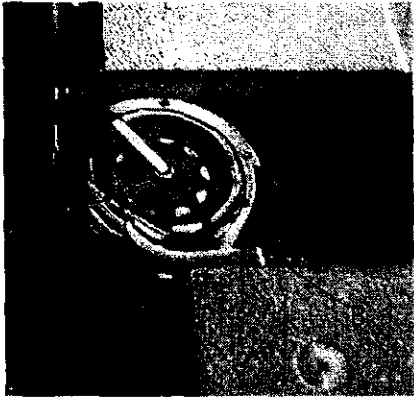


Fig.28

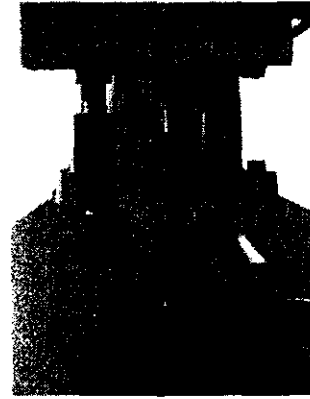


Fig.29

ADJUSTMENT OF THE HEIGHT OF THE PRESSER FEET (Figs. 29、 30 & 31)

Normal distance between the surface of the needle plate (A) and vibrating presser foot at stopped position of the stop lever (C) is 19 mm.

When step on the lifting pedal, the stop lever (C) will be released by the lifting lever (B) .

1. To change the relative lift of the presser feet, loosen the screw (1) at the above condition.
2. The height of lift of the presser feet is adjustable by moving the screw of presser bar lifting bracket.
3. Normal distance between presser bar position guide bracket (3) and presser bar position guide (4) is 7 mm.

Position of the vibrating presser foot to shift in left and right is to be adjusted by the screw (2) for presser bar lifting bracket and the screw (5) for presser bar position guide bracket.



Fig.30

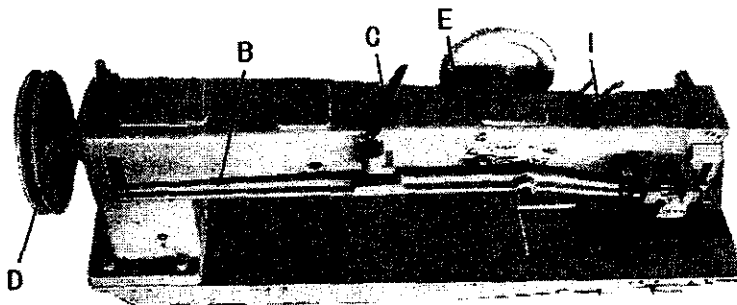


Fig.31

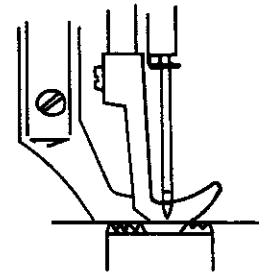
TIMING OF THE VIBRATING AND LIFTING PRESSER FEET (Fig. 32)

The amount of lift of the vibrating and lifting presser feet should be regulated according to the thickness of materials being sewn.

The feet should lift just enough to clear the materials.

As a rule, the vibrating and lifting presser feet should lift an equal height, but some grades of work may require that they lift an unequal height.

To change the relative lift of the presser feet, loosen the screw (A) for lifting rock shaft crank and move the vibrating presser bar upward or downward as required, then securely tighten the screw (A) .



Upper Surface

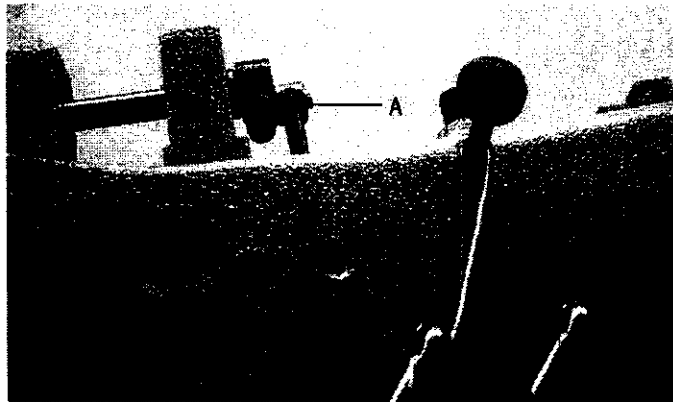


Fig.32

ADJUSTMENT OF THE CLEARANCE FOR THE VIBRATING AND LIFTING PRESSER FEET (Fig. 33) (RE-ADJUSTMENT THE TIMING OF THE VIBRATING AND LIFTING PRESSER FEET-Fig. 32)

The amount of the lift of the alternating feed for the vibrating and lifting presser feet are to be adjusted by the lifting bell crank link screw stud (1) .

To decrease the movement in setting the stud (1) at the upper position, and to increase the movement in setting the stud (1) at the lower position. After setting to the required position, securely tighten the stud (1) with nut (2) .

The clearance for the vibrating and lifting presser feet are being adjusted at maximum, so that the clearance of them should be adjusted according to the materials being sewn.

The timing position for the vibrating and lifting presser feet should be regulated by Fig. 32.

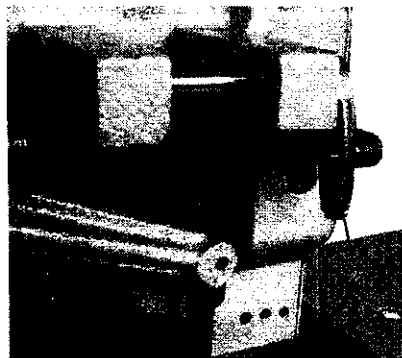


Fig.33

ADJUSTMENT OF THE THREAD CONTROLLER SPRING (Fig. 34)

1. For more controller action on the thread, loosen the set screw (1) at the right of the controller and set the stop lever, and for less action set the stop higher.
2. To strengthen the action of the controller spring on the thread, loosen the spring stud screw (4) at the rear of the stop screw and turn the spring stud (5) slightly to the left with a screwdriver, or lighten its action turn to the right and securely retighten the spring stud screw.



Fig.34

REPLACEMENT OF THE CONNECTION BELT

- A. when the connection belt removed from the pulley for adjusting and or replacing purposes of the parts, it should be replaced by the processes, as followings: (Figs. 35 & 36)
1. Turn the machine pulley toward you so that placed the take-up lever (A) at the highest position.
 2. Turn the hook shaft with the fingers until the arrow mark on the hook driving shaft bushing collar (2) and the red point mark on the hook driving shaft bushing (1) are directly in line. Then replace the belt over the upper and lower pulley.

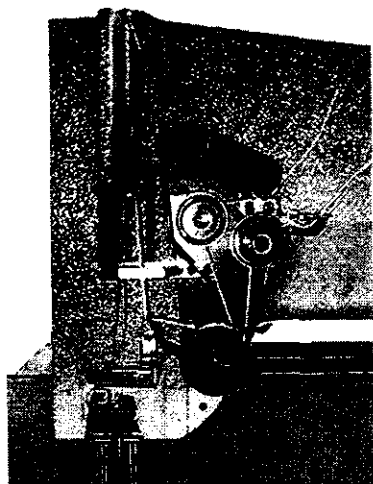


Fig.35



Fig.36

B. Replacement of the connection belt when damaged. (Figs. 37 & 38)

1. Remove the upper arm plate and reservoir.
2. Slide the connection belt (A) off from lower and upper belt pulley.
3. Loosen the machine pulley adjustment screw (2) and two set-screws for the machine pulley (3) , then remove the machine pulley.
4. Loosen the three screws in the arm shaft bushing (5) and remove the bushing (6) .
5. Lift the belt up through the arm cap hole after removed the bushing (6) as far as possible and draw it out through the space normally occupied by the bushing.
6. Replace the connection belt as opposite processes as above for removing it.
7. Securely tighten all the screws, so as to fit the arm shaft, firmly, free from looseness.

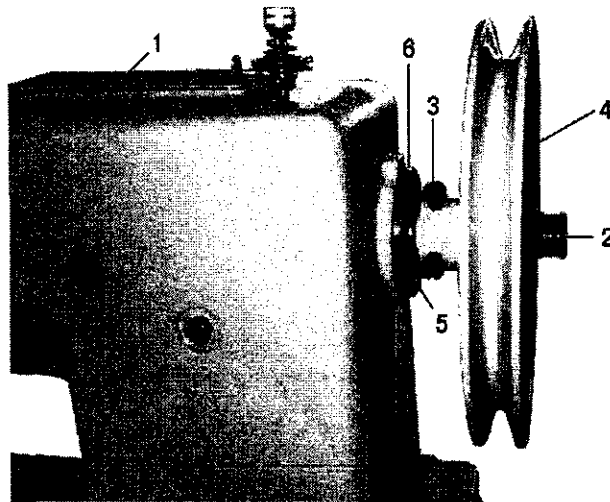


Fig.37

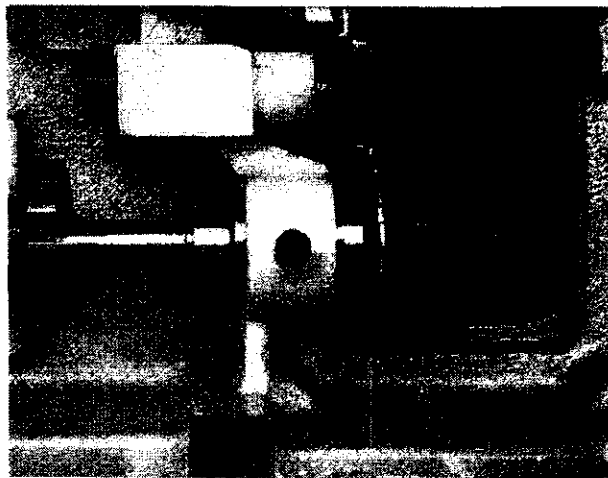


Fig.38

TO RE-ENGAGE THE SAFETY CLUTCH (Figs. 39 & 40)

The hook driving shaft and the shaft of the sewing hook are splined to prevent the hook from getting out of time. The safety clutch located in the lower belt pulley prevents damage in the event of thread jamming in the sewing hook by releasing the locking lever in the pulley.

1. Take out jammed thread from the hook.
2. To re-engage the clutch, press down the lock stud (A) , near the base of the arm by left hand and turn the machine pulley backward slowly by right hand, then the safety clutch will be released.
3. In the case easily releasing the safety crutch, adjust the pressure by the screw (B) for lower belt pulley after removed connection belt (C) .

To increase the pressure in turning the screw (B) to clockwise and to decrease the pressure in turning the screw (B) to counter-clockwise.

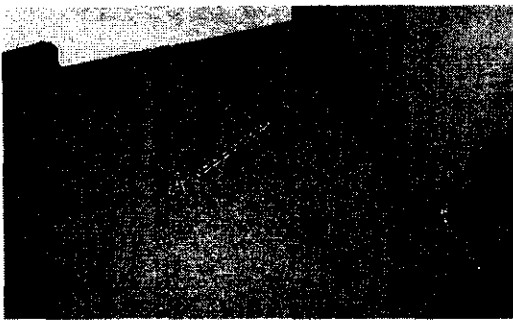


Fig.39



Fig.40

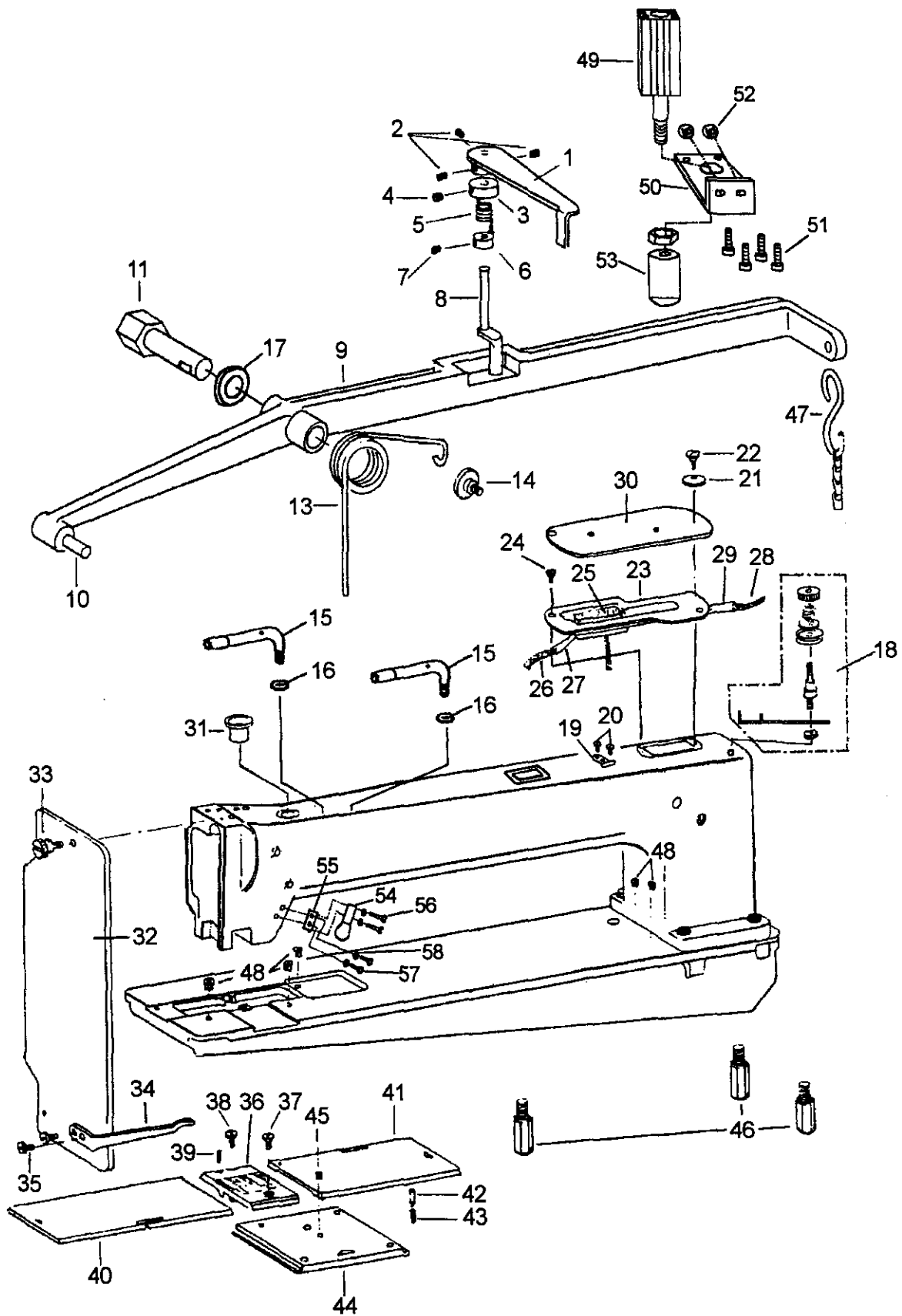
ADJUSTMENT OF THE OILING FOR THE HOOK SADDLE (Fig. 43)

Loosen the screw for the oil adjustment dial (3) and adjust oil supply by turning the oil adjustment dial (2) . Maximum oil supply at the directly in line of the point mark (1) on the hook saddle and the center line of the dial (2) . Stop the oil supply at the vertical position of the center line of the dial (2) .



Fig.43

A.



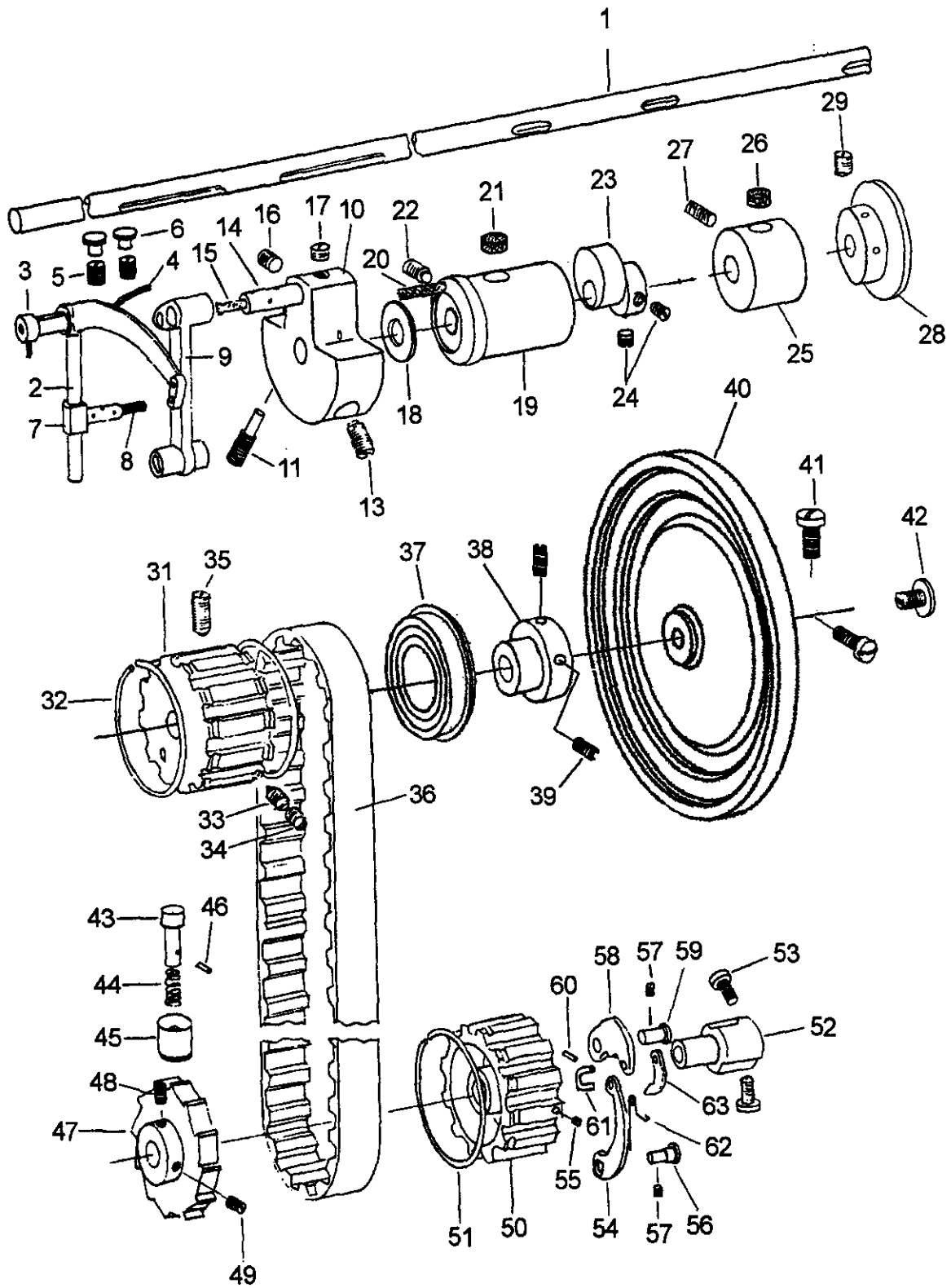
A.

Fig. Nos.	Parts Nos.	Description	Single needle	Double needle	Remarks
A01	HE924B7101		1	1	
A02	HA100B2110		3	3	SM11/64(40) × 5.5
A03	HE913B8001		1	1	
A04	H7214H8001		1	1	SM11/64(40) × 4.5
A05	HE915B8001		1	1	
A06	HE916B8001		1	1	
A07	HA100C2170		1	1	SM1/8(44) × 4.5
A08	HE917B8001		1	1	
A09	HF410B8001		1	1	
A10	HE919B8001		1	1	
A11	HE920B8001		1	1	
A13	HF411B8001		1	1	
A14	HE048D8001		1	1	SM17/64(24) × 8
A15	HE020B8001		1	2	
A16	HE021B8001		1	2	SM7/32(32)
A17	H32121I304		1	1	
A18	HE969B7101		1	1	
A19	H6756B8001		1	1	
A20	HA500C2070		2	2	SM9/64(40) × 8
A21	HE045D8001		1	1	
A22	HE927B8001		1	1	SM3/16(28) × 6.5
A23	HE928B8001		1	1	
A24	HE111F8001		1	1	SM1/8(44) × 7
A25	HE929B8001		1	1	
A26	HE930B8001		1	1	
A27	HE931B8001		1	1	
A28	HE932B8001		1	1	
A29	HE933B8001		1	1	
A30	HE934B8001		1	1	
A31	H7327B8001		1	1	
A32	HE937B8001		1	1	
A33	HE938B8001		1	1	SM13/64(32) × 7
A34	HE939B8001		1	1	
A35	HE025C8001		2	2	SM1/8(40) × 3.3
A36	HE940B8001			1	
A37	HE005H8001		1	1	
A38	HE006H8001		1	1	
A39	H3200B2130		1	1	
A40	HE942B8001			1	
A41	HE943B8001			1	
A42	HE946B8001		1	1	
A43	HE009H8001		1	1	
A44	HE944B8001		1	1	

A.

Fig. Nos.	Parts Nos.	Description	Single needle	Double needle	Remarks
A45	HE013H8001		1	1	
A46	HE956B8001		3	3	
A47	H8000H2070		1	1	
A48	H2000M0090		5	5	
A49	H0313L8001		1	1	SDA32×50-B
A50	HF415B8001		1	1	
A51	H415060150		4	4	
A52	HE010M8001		2	2	SM17/64(24)×8
A53	HF416B8001		1	1	
A54	H0314L8001		1	1	MV-15-B-05
A55	HF418B8001		1	1	
A56	H410040250		2	2	
A57	H410040080		2	2	
A58	H005008040		4	4	

B.



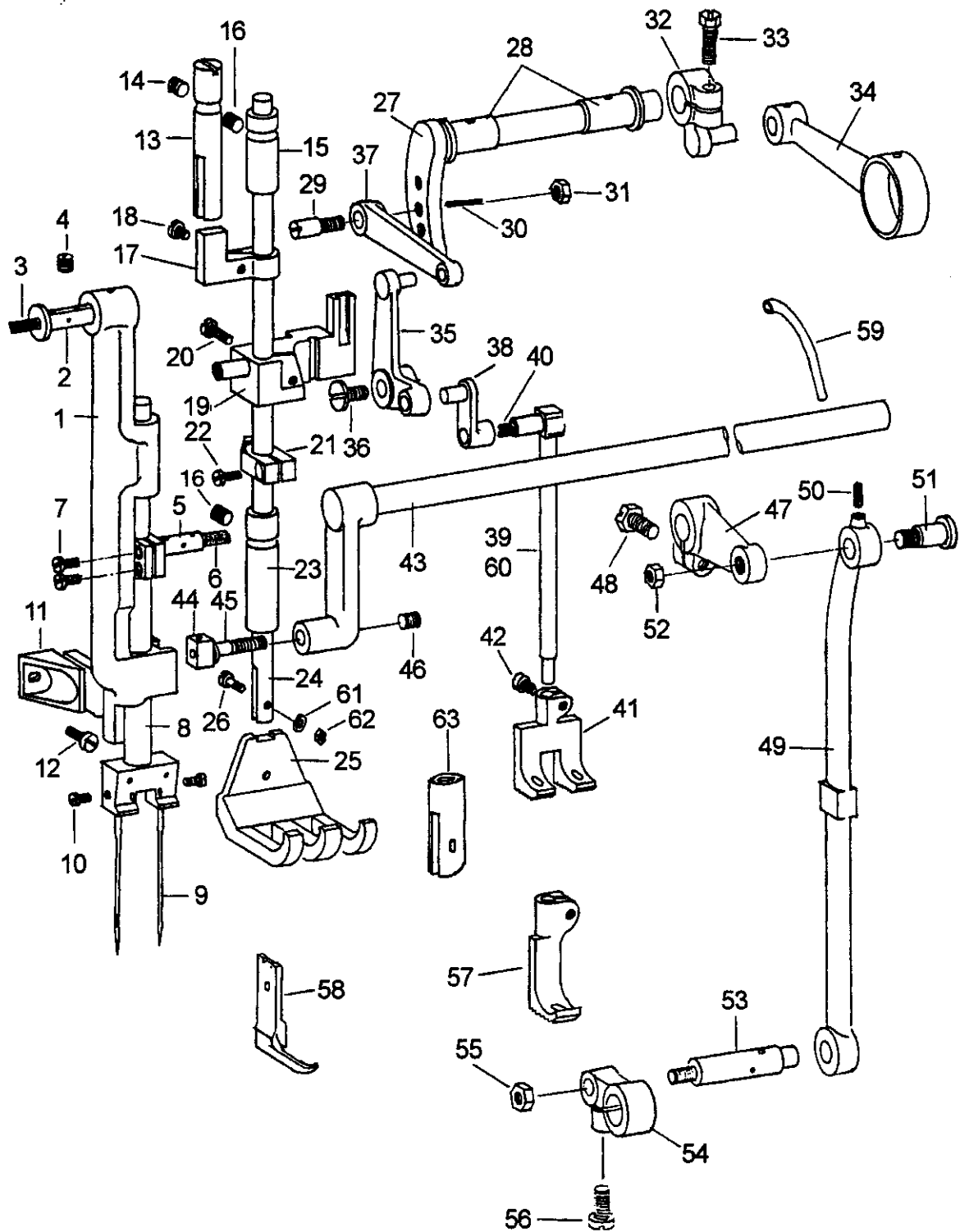
B.

Fig. Nos.	Parts Nos.	Description	Single needle	Double needle	Remarks
B01	HF404C8001		1	1	
B02	HE905C8001		1	1	
B03	HE906C8001		1	1	
B04	HE907C8001		1	1	
B05	HE020C8001		2	2	
B06	HA100B2150		2	2	
B07	HE908C8001		1	1	
B08	HE035C8001		1	1	
B09	HE909C8001		1	1	
B10	HE910C8001		1	1	
B11	HA100C2070		1	1	
B13	HA100C2060		1	1	
B14	H3100C2070		1	1	
B15	HE041C8001		1	1	
B16	HE013C8001		1	1	SM17/64 (24) × 6.5
B17	HE911C8001		1	1	SM17/64 (24) × 3.5
B18	HE011C8001		1	1	
B19	HE912C8001		1	1	
B20	HE010G8001		1	1	
B21	HE014C8001		1	1	
B22	HE020C8001		1	1	SM17/64 (24) × 20
B23	HE914C8001		1	1	
B24	HE023C8001		2	2	
B25	HE916C8001		1	1	
B26	HE014C8001		1	1	
B27	HE020C8001		1	1	
B28	HE939G8001		1	1	
B29	H6623C8001		2	2	M4 × 8
B31	HE026C8001		1	1	
B32	H3205C0661		2	2	
B33	HE006D8001		1	1	
B34	HE030C8001		1	1	
B35	HE028C8001		1	1	
B36	HE917C8001		1	1	
B37	H3205J0662		1	1	
B38	HF405C8001		1	1	
B39	HA100C2020		2	2	SM15/64 (28)
B40	HF407C8001		1	1	
B41	HE038E8001		2	2	
B42	HE007C8001		1	1	
B43	HE921C8001		1	1	
B44	H4107D0672		1	1	
B45	HE922C8001		1	1	

B.

Fig. Nos.	Parts Nos.	Description	Single needle	Double needle	Remarks
B46	H601016100		1	1	
B47	HE923C8001		1	1	
B48	HE035G8001		1	1	
B49	HE034G8001		1	1	
B50	HE924C8001		1	1	
B51	H3205C0661		1	1	
B52	HF408C8001		1	1	
B53	HE022G8001		2	2	
B54	HE925C8001		1	1	
B55	HE926C8001		1	1	SM5/32 (40) × 3.6
B56	HE927C8001		1	1	
B57	HE028E8001		2	2	
B58	HE028G8001		1	1	
B59	HE029G8001		1	1	
B60	H601012050		1	1	
B61	HE027G8001		1	1	
B62	HE026G8001		1	1	
B63	HE031G8001		1	1	

C.



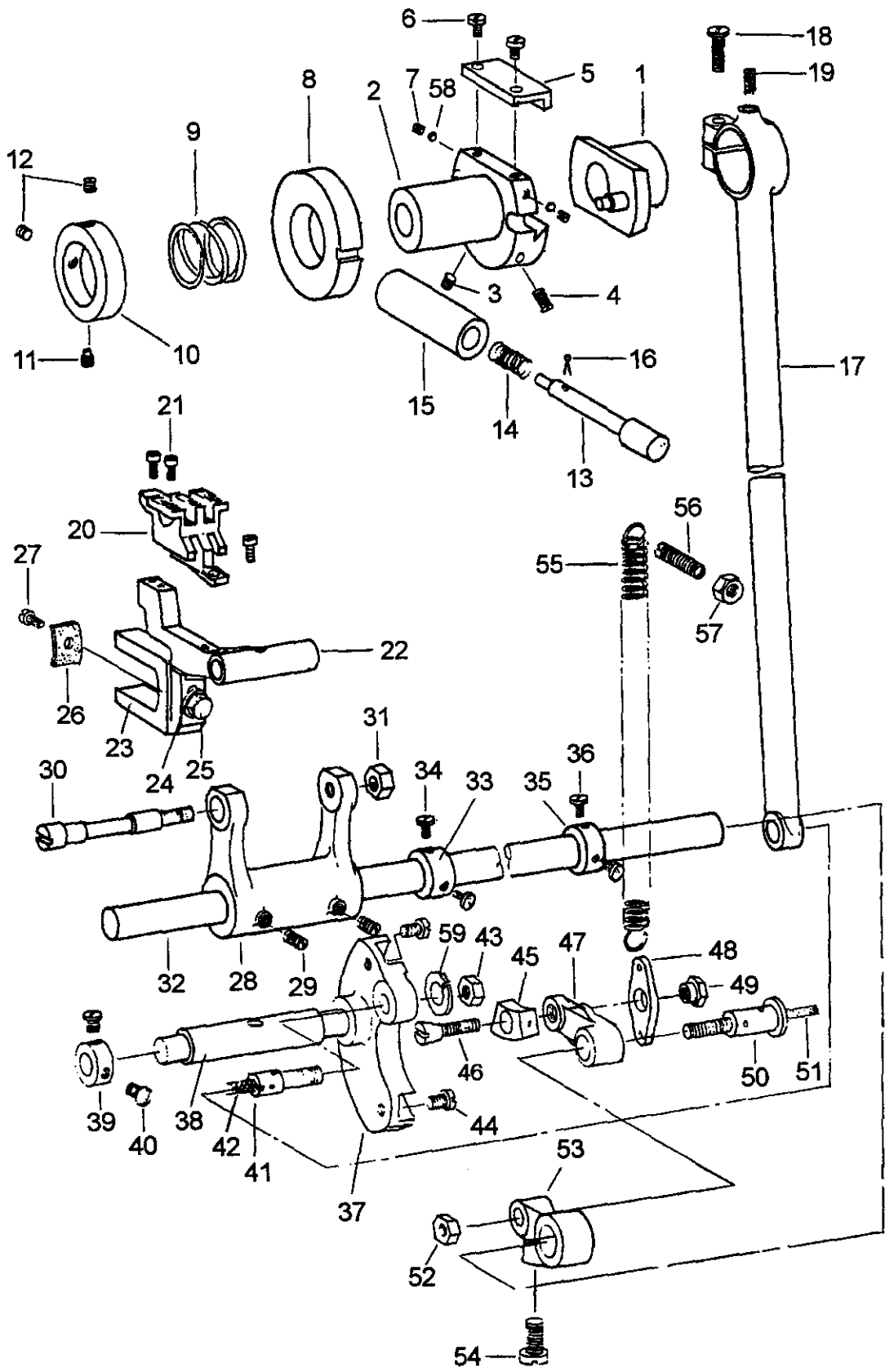
C.

Fig. Nos.	Parts Nos.	Description	Single needle	Double needle	Remarks
C01	HE904D8001		1	1	
C02	HE905D8001		1	1	
C03	HE035C8001		1	1	
C04	HE009G8001		1	1	
C05	HE907D8001		1	1	
C06	HE041C8001		1	1	
C07	HE119E8001		2	2	SM5/32 (40) × 9
C08	HE908D8001			1	
C09	HE909D8001		1	2	DY × 3 #25
C10	HE910D8001		1	2	SM3/16 (32) × 5.5
C11	HE911D8001		1	1	
C12	HE022K8001		1	1	SM11/64 (32) × 9
C13	HE912D8001		1	1	
C14	HE006D8001		1	1	SM17/64 (24) × 11
C15	HE007D8001		1	1	
C16	HE006D8001		2	2	
C17	HE913D8001		1	1	
C18	HE009D8001		1	1	SM5/32 (40) × 6.5
C19	HE914D8001		1	1	
C20	H3107G0661		1	1	SM11/64 (40) × 14
C21	HE915D8001		1	1	
C22	HE916D8001		1	1	SM3/16 (32) × 13.5
C23	HE007D8001		1	1	
C24	HE918D8001		1	1	
C25	HE919D8001			1	
C26	HE920D8001		1	1	SM0.1339 (36) × 16.7
C27	HE921D8001		1	1	
C28	HE024D8001		2	2	
C29	HE025D8001		1	1	
C30	HE035C8001		1	1	
C31	H3112F0662		1	1	
C32	HE922D8001		1	1	
C33	HE038E8001		1	1	
C34	HE923D8001		1	1	
C35	HE924D8001		1	1	
C36	H3107G0662		1	1	SM11/64 (40)
C37	HE925D8001		1	1	
C38	HE926D8001		1	1	
C39	HE927D8001		1	1	
C40	HE035C8001		1	1	
C41	HE928D8001			1	
C42	HE929D8001		1	1	SM11/64 (40) × 7.5
C43	HF404D7101		1	1	

C.

Fig. Nos.	Parts Nos.	Description	Single needle	Double needle	Remarks
C44	H3100F2270		1	1	
C45	HE027E8001		1	1	
C46	HE028E8001		1	1	
C47	HE933D8001		1	1	
C48	HE038E8001		1	1	
C49	HE934D8001		1	1	
C50	HE035C8001		1	1	
C51	HE935D8001		1	1	
C52	HE936D8001		1	1	SM17/64(24)
C53	HE937D8001		1	1	
C54	HE938D8001		1	1	
C55	HE926E8001		1	1	SM0. 309(20)
C56	HE038E8001		1	1	
C57	HF207D8001		1		
C58	HF304D8001		1		
C59	HE939D8001		1	1	
C60	HF209D8001		1	1	
C61	HE044J8001		1	1	
C62	HE940D8001		1	1	SM0. 1339(36) × 16.7
C63	HE941D8001		1	1	

D.



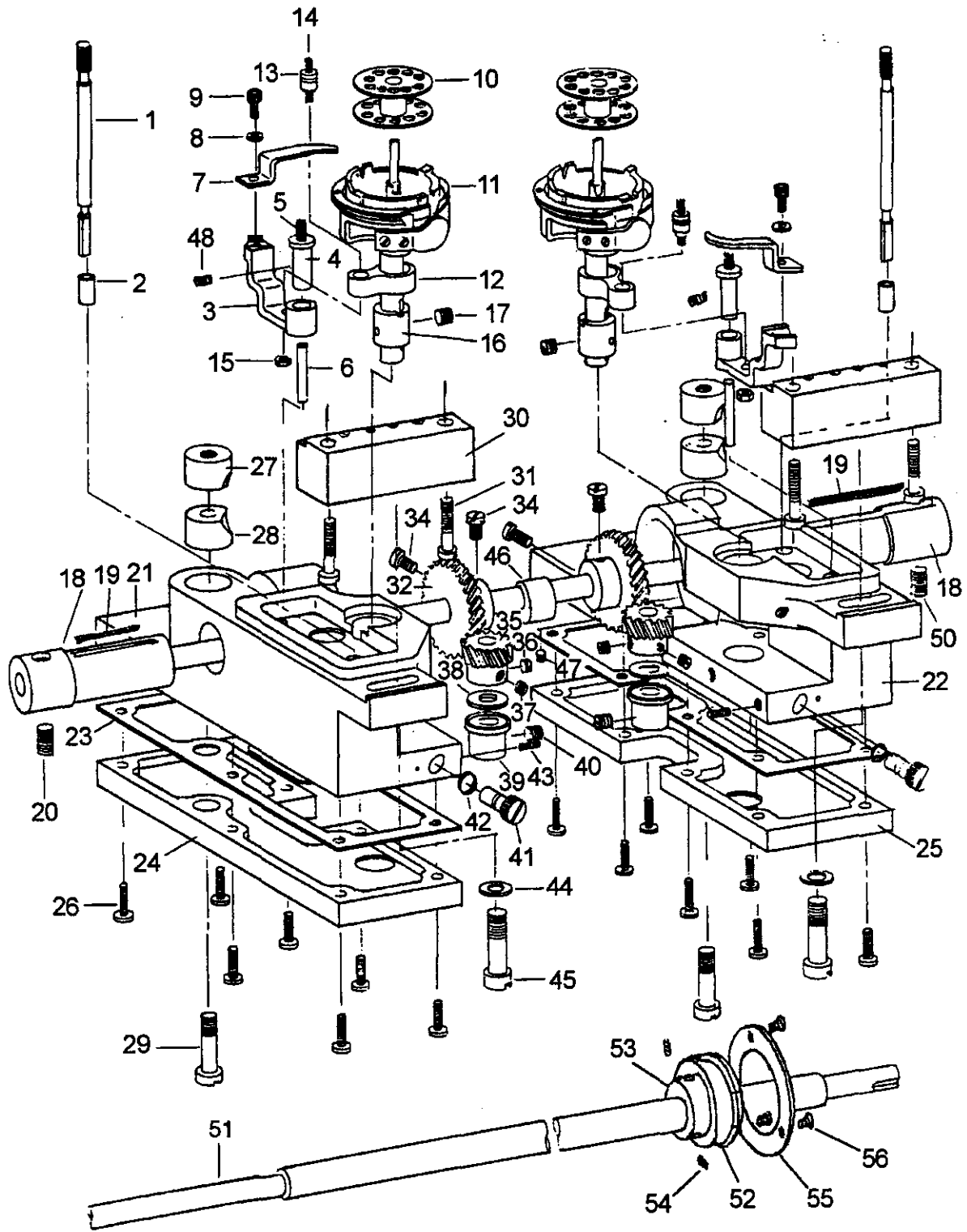
D.

Fig. Nos.	Parts Nos.	Description	Single needle	Double needle	Remarks
D01	HE946E8001		1	1	
D02	HE905E8001		1	1	
D03	HE906E8001		1	1	SM3/16(32)×10.5
D04	HE907E8001		1	1	SM3/16(32)×10.5
D05	HE908E8001		1	1	
D06	HE909E8001		2	2	SM3/16(40)×11.5
D07	HA100B2110		2	2	
D08	HE910E8001		1	1	
D09	HE911E8001		1	1	
D10	HE912E8001		1	1	
D11	HE035G8001		1	1	
D12	HE023C8001		2	2	
D13	HE913E8001		1	1	
D14	HE914E8001		1	1	
D15	HE915E8001		1	1	
D16	H601015100		1	1	
D17	HE916E8001		1	1	
D18	H3107G0661		1	1	
D19	HE035C8001		1	1	
D20	HE917E8001			1	
D21	HE918E8001		3	3	M3×8
D22	HE919E8001			1	
D23	HE920E8001		1	1	
D24	H2013J0065		1	1	
D25	HE022H8001		1	1	
D26	HE020H8001		1	1	
D27	HE025B8001		1	1	
D28	HE921E8001		1	1	
D29	HE922E8001		2	2	SM17/64" (24)×7.7
D30	HE923E8001		1	1	
D31	HE131E8001		1	1	
D32	HF404E8001		1	1	
D33	HE033H8001		1	1	
D34	HE034H8001		2	2	
D35	HE033H8001		1	1	
D36	HE034H8001		2	2	
D37	HE943E7101		1	1	
D38	HE928E8001		1	1	
D39	HE929E8001		1	1	
D40	HE012E8001		1	1	
D41	HE930E8001		1	1	
D42	HE035C8001		1	1	
D43	HE926E8001		1	1	

D.

Fig. Nos.	Parts Nos.	Description	Single needle	Double needle	Remarks
D44	HE931E8001		2	2	SM3/16(32)×4
D45	HE932E8001		1	1	
D46	HE933E8001		1	1	
D47	HE934E8001		1	1	
D48	HE935E8001		1	1	
D49	HE936E8001		1	1	
D50	HE937E8001		1	1	
D51	HE035C8001		1	1	
D52	HE926E8001		1	1	
D53	HE938E8001		1	1	
D54	HE939E8001		2	2	M6×20
D55	HE945E8001		1	1	
D56	HE940E8001		1	1	SM5/16(24)×17.5
D57	HE941E8001		1	1	SM5/16(24)
D58	HE942E8001		2	2	
D59	H005010080		1	1	

E.



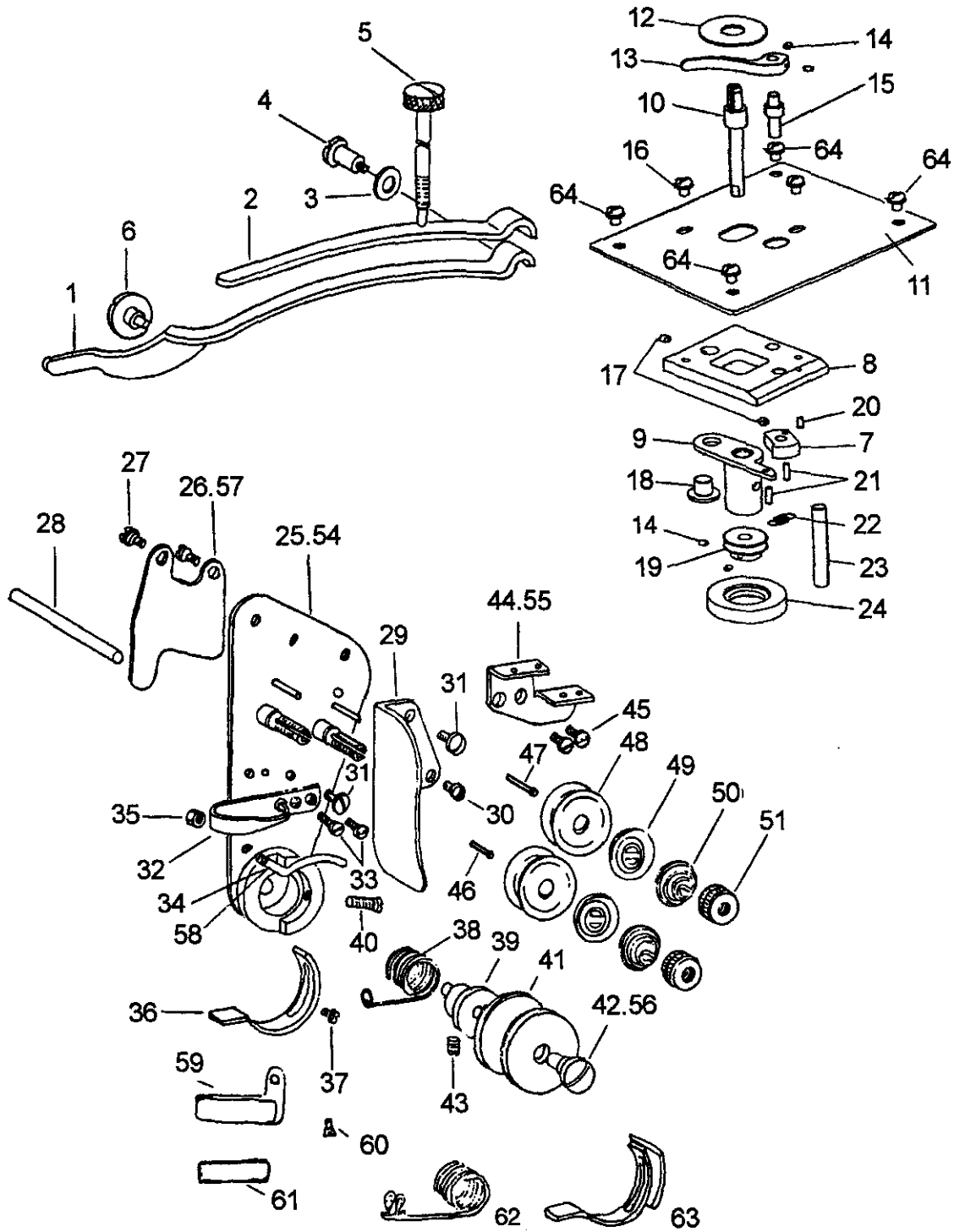
E.

Fig. Nos.	Parts Nos.	Description	Single needle	Double needle	Remarks
E01	HE904F8001		1	2	
E02	HE039J8001		1	2	
E03	HE905F8001		1	2	
E04	HE906F8001		1	2	
E05	HE018J8001		1	2	
E06	HE020J8001		1	2	
E07	HE907F8001		1	2	
E08	H005004060		1	2	
E09	HE909F8001		1	2	M3×6
E10	HE933F7101		1	2	
E11	HE911F8001		1	2	KRT14-5
E12	HE912F8001		1	2	
E13	HE017J8001		1	2	
E14	HE018J8001		1	2	
E15	HE019J8001		1	2	
E16	HE913F8001		1	2	
E17	HE009J8001		2	2	
E18	HE914F8001		2	2	
E19	HE010G8001		2	2	
E20	HE020C8001		2	2	
E21	HE915F8001			1	
E22	HE916F8001		1	1	
E23	HE005J8001		1	2	
E24	HE052J8001			1	
E25	HE006J8001		1	1	
E26	HE017B8001		7	14	
E27	HE046J8001		1	2	
E28	HE046J8001		1	2	
E29	HE048J8001		1	2	
E30	HE918F8001		1	2	
E31	HE919F8001		2	4	SM7/32 (32) × 21
E32	HE055G8001		1	2	
E33	HE920F8001		1	2	SM1/4 (32) × 9
E34	HE921F8001		1	2	SM1/4 (32) × 7.5
E35	HE010J8001		1	2	
E36	HE017G8001		1	2	
E37	HE012J8001		1	2	
E38	HE013J8001		1	2	
E39	HE014J8001		1	2	
E40	HE009J8001		1	2	
E41	HE040J8001		1	2	
E42	HE041J8001		1	2	
E43	HE045G8001		1	2	

E.

Fig. Nos.	Parts Nos.	Description	Single needle	Double needle	Remarks
E44	HE049J8001		1	2	
E45	HE050J8001		1	2	
E46	HE058G8001		1	1	
E47	HE017G8001		1	1	
E48	HE053C8001		1	2	
E50	HE040D8001		1	1	
E51	HF404F8001		1	1	
E52	HF405F7101		1	1	
E53	HF406F8001		1	1	
E54	HA307C0662		2	2	SMI/4 (40) × 6
E55	H4727H8001		1	1	
E56	HA7311C306		3	3	

F.



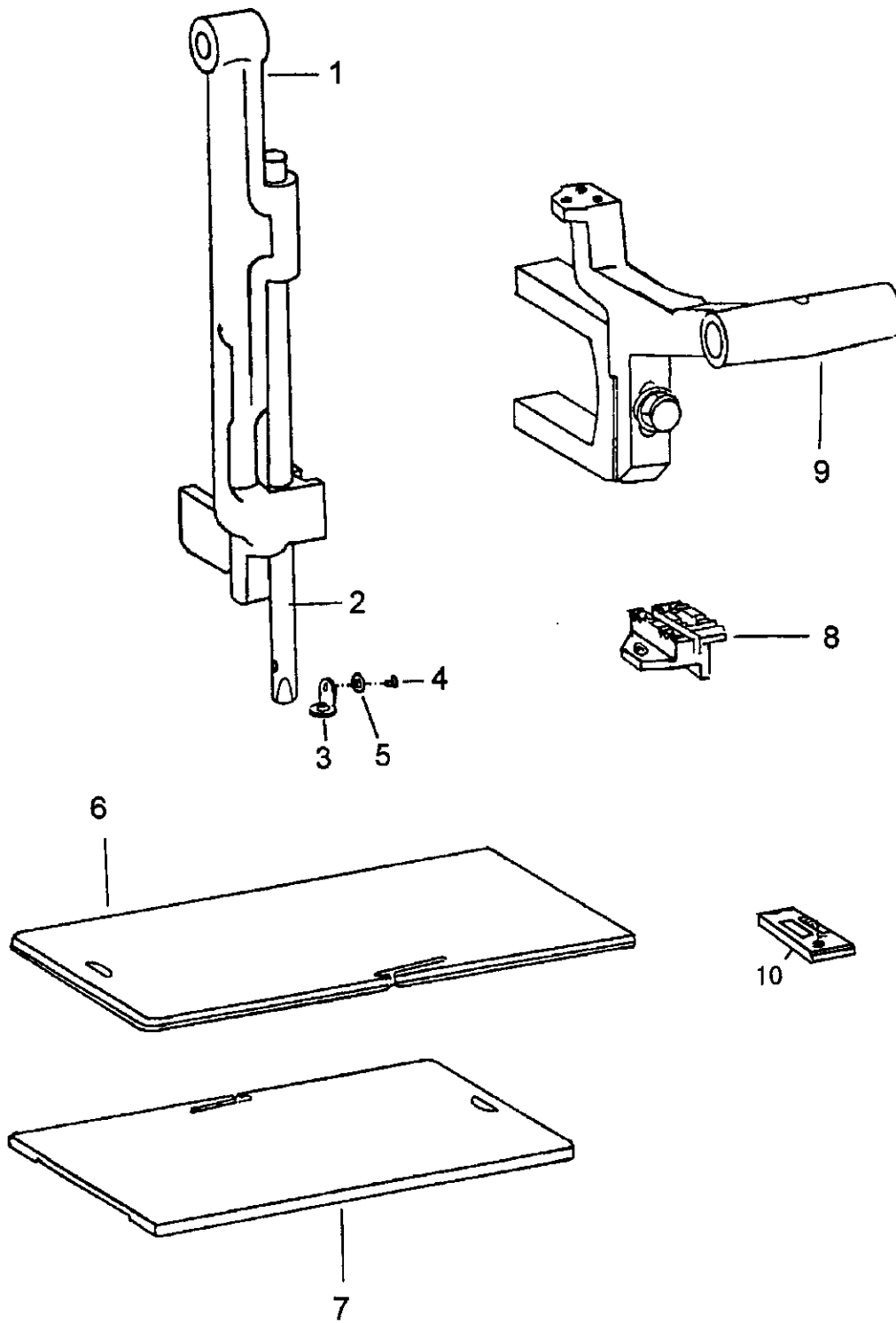
F.

Fig. Nos.	Parts Nos.	Description	Single needle	Double needle	Remarks
F01	HE904G8001		1	1	
F02	HE905G8001		1	1	
F03	H005006080		1	1	
F04	HE907G8001		1	1	SM17/64(24) × 13
F05	HE908G8001		1	1	
F06	HE048D8001		1	1	SM17/64(24) × 8
F07	HE934G8001		1	1	
F08	HE935G8001		1	1	
F09	HE936G8001		1	1	
F10	HE937G8001		1	1	
F11	HE938G8001		1	1	
F12	H6656B8001		1	1	
F13	H6651B8001		1	1	
F14	H431030040		4	4	
F15	H6649B8001		1	1	
F16	H409040080		2	2	
F17	H431040040		2	2	
F18	H6650B8001		1	1	
F19	H6657B8001		1	1	
F20			1	1	φ 2.5 × 8
F21			2	2	φ 2.5 × 12
F22	H6653B8001		1	1	
F23	H6655B8001		1	1	
F24	H6658B8001		1	1	
F25	HE924G7101			1	
F26	HE910G8001			1	
F27	HE019K8001		2	2	
F28	HE912G8001		1	1	
F29	HE913G8001		1	1	
F30	HE046C8001		1	1	
F31	HE012E8001		2	2	SM11/64(32) × 6.5
F32	HE914G8001		1	1	
F33	HE915G8001		2	2	SM0.1339(36) × 3.5
F34	HE916G8001		1	1	
F35	HE018H8001		1	1	
F36	HE931G8001			1	
F37	HE046C8001		1	1	
F38	HF205G8001		1		
F39	HE917G8001		1	1	
F40	HE022K8001		1	1	
F41	HE918G8001		1	1	
F42	HE919G8001		1	1	
F43	HE920G8001		1	1	SM11/64(32) × 4

F.

Fig. Nos.	Parts Nos.	Description	Single needle	Double needle	Remarks
F44	HE921G8001		1	1	
F45	HE915G8001		2	2	
F46	HE922G8001		1	1	
F47	HE923G8001		1	1	
F48	HA310B0705		2	4	
F49	HA310B0702		1	2	
F50	H2206B0671		1	2	
F51	HA310B0701		1	2	
F54	HF206G7101		1		
F55	HF208G8001		1		
F56	HF209G8001		1		
F57	HF210G8001		1		
F58	HF211G8001		1	1	
F59	HE033B8001		1	1	
F60	HE032B8001		1	1	
F61	H3108B0692		1	1	
F62	HE929G8001			1	
F63	HE930G7101			1	
F64	HA300C2030		4	4	

G.

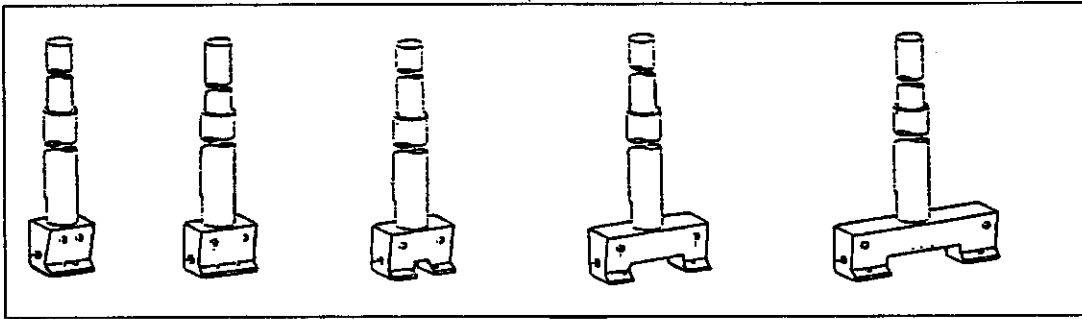


G.

Fig. Nos.	Parts Nos.	Description	Single needle	Double needle	Remarks
G01	HF204D8001		1		
G02	HF205D8001		1		
G03	HF206D8001		1		
G04	H4915J8001		1		
G05	H005001025		1		
G06	HF210B8001		1		
G07	HF211B8001		1		
G08	HF205E8001		1		
G09	HF206E8001		1		
G10	HF209B8001		1		

H.

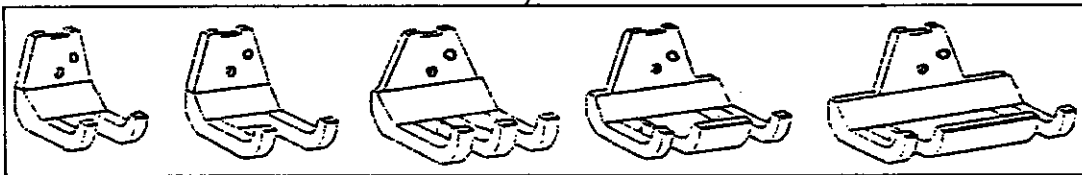
1.2.3.4.5.6.7.8



9.10.11.12.13.14.15.16



17.18.19.20.21.22.23.24



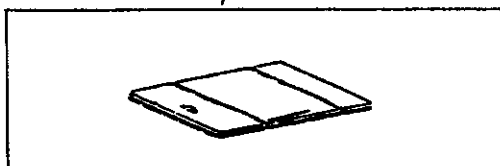
25.26.27.28.29.30.31.32



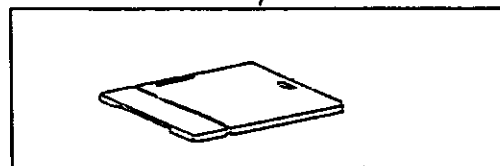
33.34.35.36.37.38.39.40



41.42.43.44.45.46.47.48



49.50.51.52.53.54.55.56



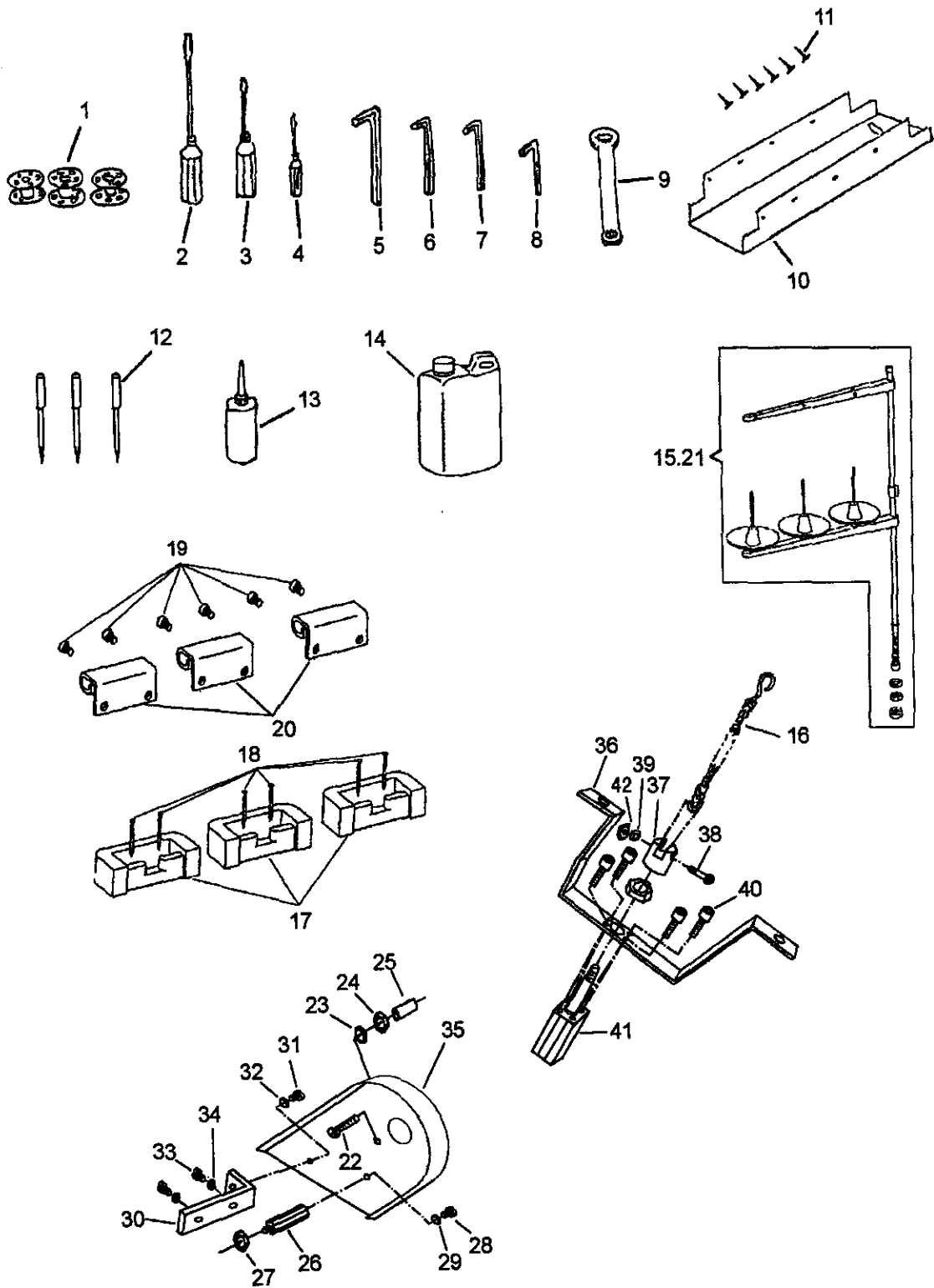
H.

Fig. Nos.	Parts Nos.	Description	Single needle	Double needle	Remarks
H01	HE970D8001	(1/4")		1	
H02	HE971D8001	(3/8")		1	
H03	HE972D8001	(1/2")		1	
H04	HE973D8001	(7/8")		1	
H05	HE974D8001	(1")		1	
H06	HE975D8001	(1 1/4")		1	
H07	HE976D8001	(1 1/2")		1	
H08	HE977D8001	(1 3/4")		1	
H09	HE962D8001	(1/4")		1	
H10	HE963D8001	(3/8")		1	
H11	HE964D8001	(1/2")		1	
H12	HE965D8001	(7/8")		1	
H13	HE966D8001	(1")		1	
H14	HE967D8001	(1 1/4")		1	
H15	HE968D8001	(1 1/2")		1	
H16	HE969D8001	(1 3/4")		1	
H17	HE954D8001	(1/4")		1	
H18	HE955D8001	(3/8")		1	
H19	HE956D8001	(1/2")		1	
H20	HE957D8001	(7/8")		1	
H21	HE958D8001	(1")		1	
H22	HE959D8001	(1 1/4")		1	
H23	HE960D8001	(1 1/2")		1	
H24	HE961D8001	(1 3/4")		1	
H25	HE978B8001	(1/4")		1	
H26	HE979B8001	(3/8")		1	
H27	HE980B8001	(1/2")		1	
H28	HE981B8001	(7/8")		1	
H29	HE982B8001	(1")		1	
H30	HE983B8001	(1 1/4")		1	
H31	HE984B8001	(1 1/2")		1	
H32	HE985B8001	(1 3/4")		1	
H33	HE965E8001	(1/4")		1	
H34	HE966E8001	(3/8")		1	
H35	HE967E8001	(1/2")		1	
H36	HE968E8001	(7/8")		1	
H37	HE969E8001	(1")		1	
H38	HE970E8001	(1 1/4")		1	
H39	HE971E8001	(1 1/2")		1	
H40	HE972E8001	(1 3/4")		1	
H41	HE986B8001	(1/4")		1	
H42	HE987B8001	(3/8")		1	
H43	HE988B8001	(1/2")		1	

H.

Fig. Nos.	Parts Nos.	Description	Single needle	Double needle	Remarks
H44	HE989B8001	(7/8")		1	
H45	HE990B8001	(1")		1	
H46	HE991B8001	(1 1/4")		1	
H47	HE992B8001	(1 1/2")		1	
H48	HE993B8001	(1 3/4")		1	
H49	HE994B8001	(1/4")		1	
H50	HE995B8001	(3/8")		1	
H51	HE996B8001	(1/2")		1	
H52	HE997B8001	(7/8")		1	
H53	HE998B8001	(1")		1	
H54	HE999B8001	(1 1/4")		1	
H55	HE90AB8001	(1 1/2")		1	
H56	HE90BB8001	(1 3/4")		1	

I.



I.

Fig. Nos.	Parts Nos.	Description	Single needle	Double needle	Remarks
I01	HE933F7101		2	3	
I02	HA300J2070		1	1	
I03	HA300J2200		1	1	
I04	HA300J2210		1	1	
I05	HB01001040		1	1	
I06	HB01001030		1	1	
I07	HB01001025		1	1	
I08	HB01001015		1	1	
I09	HA300J2220		1	1	
I10	HF404H8001		1	1	
I11	HJ02016250		10	10	
I12	HE909D8001		6	6	DY×3 #25
I13	H200400069		1	1	
I14	HA300J2170		1	1	
I15	H3200L0120			1	
I16	H3200L0120		1	1	
I17	HA307J0671		3	3	
I18	HJ02016250		6	6	
I19	HE010M8001		6	6	
I20	HE009M8001		3	3	
I21	H3200L0120		1		
I22	H410050200		1	1	
I23	H005008050		1	1	
I24	H003001050		1	1	
I25	HF427B8001		1	1	
I26	HF419B8001		1	1	
I27	H003001060		1	1	
I28	H410050060		1	1	
I29	H005008050		1	1	
I30	HF420B8001		1	1	
I31	H410050060		1	1	
I32	H005008050		1	1	
I33	H410040150		2	2	
I34	H005008040		2	2	
I35	HF421B7101		1	1	
I36	HF424B8001		1	1	
I37	HF425B8001		1	1	
I38	HA712N0692		1	1	
I39	H007013040		2	2	
I40	H415060150		4	4	
I41	H0313L8001		1	1	SDA32×50-B

IMCA bv - Holland

Hendrik Figeeweg 4

2031 BJ Haarlem

Phone: (31) 23 531 95 84

Fax: (31) 23 531 10 22

e-mail :info@imca.net

IMCA USA - Georgia

3249 Cleveland highway

Gainesville GA 30506

Phone: (1) 770 535 7538

Fax: (1) 770 532 3896

e-mail: imca2@bellsouth.net

IMCA France

3 Square des Bouleaux

49300 Cholet

France

Phone (33) 2 4158 8148

Fax (33) 2 4171 9822

e-mail: bernard.cleon@free.fr

Global International BV

H. Figeeweg 4

2031 BJ Haarlem

tel: (31) 23-5319584

fax: (31) 23-5311022

e-mail: global@imca.net

Global Parts bv

H. Figeeweg 4B

2031 BJ Haarlem

tel: (31) 23-5425312

fax: (31) 23-5423422

e-mail: globalparts@planet.nl